

Utopia 6" Switch Shower Head & Hand Shower Wand Trim Kit

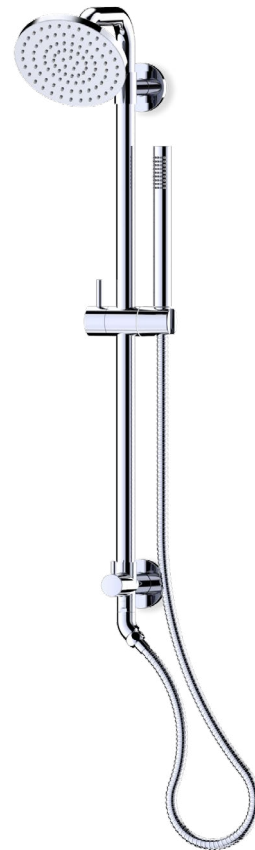
F181014T

Specifications:

- Metal construction for durability and reliability
- Pressure balancing volume control
- Max-temperature limit stop for added safety
- Integral stop check valves for easy maintenance
- Valve and trim packages are sold separately
- Requires the fluid F1001B pressure balancing valve, (sold separately and available in solder, PEX and PEX-W.)

Components:

F1001T	Sleeve tube and cap
FP6018041	Utopia Handle
FP6001035-1PB	Round Cover Plate
FP900208	8" Switch Shower Arm
FP6000350	6" Shower Head
FP6001048	Round Hand Shower Wand
FP933000	Switch Slide Bar
FP6001006	60" Shower Hose



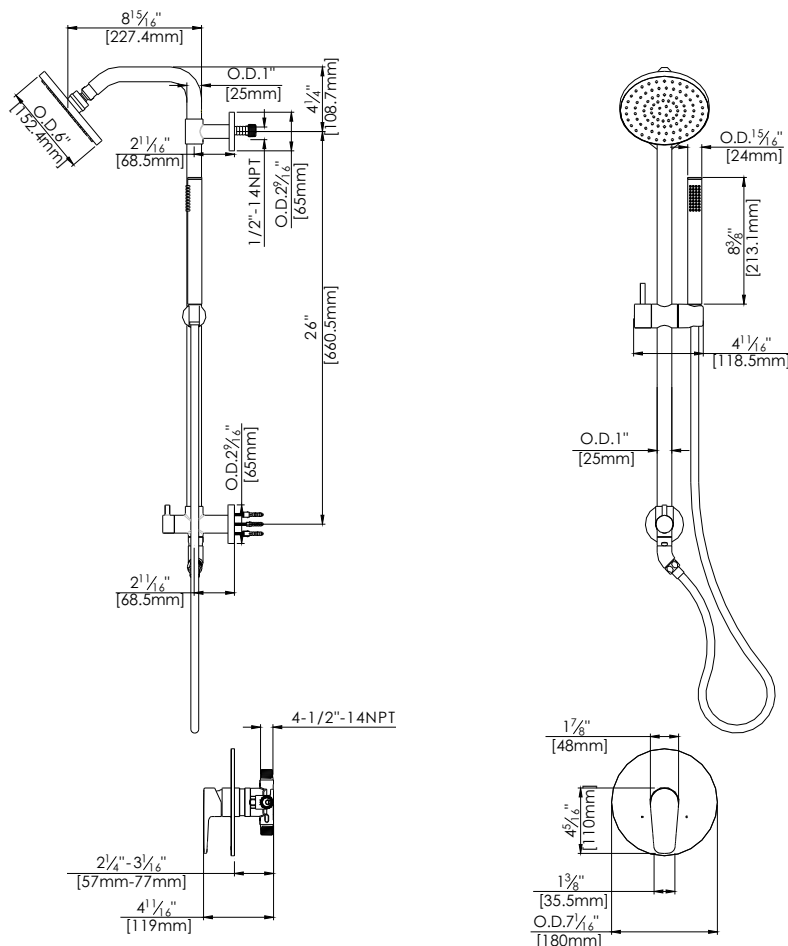
Features:

-  Requires F1001b
-  Bubble Level
-  Integral Stops
-  Speed Connect

Available in Polished Chrome (CP) and Brushed Nickel (BN)

Technical Drawing

F181014T



Warranty:

Limited Lifetime Faucet Warranty against material and manufacturing defects for residential use.

2 Year Limited Warranty on all industrial, commercial and business applications.

Codes and Standards:

ANSI/ASME A112.18.1

CSA B125.1

IAPMO / cUPC Listed

Flow Rate:

Shower Head 1.8 gpm @ 60 psig

Hand Shower 1.8 gpm @ 60 psig

Low Flow Alternative: Hand Shower & Shower Head @ 1.5 gpm: **F181014T-15**