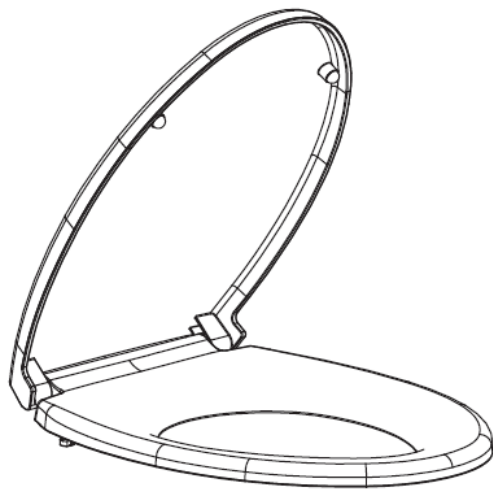
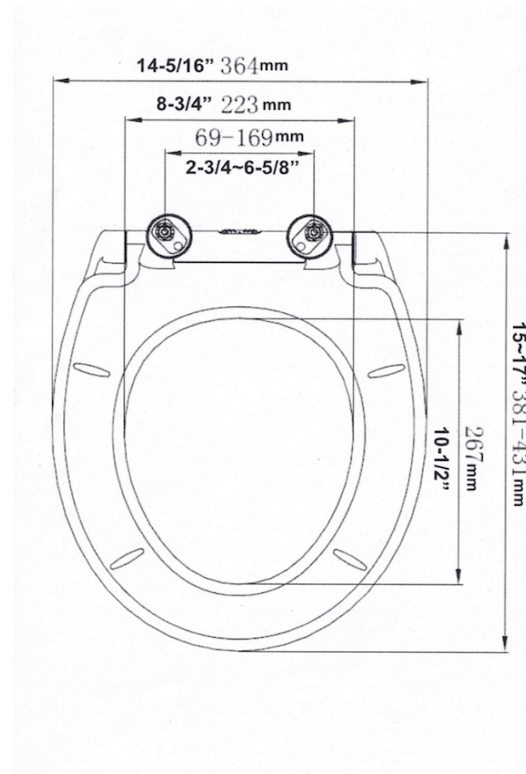


SPECIFICATIONS

Caroma Soft Close Detachable Round Front Seat Model 326620W (Bottom Fixing)



326620W__ Specification /REV0 2023