

fluid 60" Handheld Shower Wand Flex Hose

FP6001006

Specifications:

- 60" (1524 mm) shower hose
- 1/2" threaded connection with rubber seal gasket
- Heavy duty stainless steel outer shell for durability

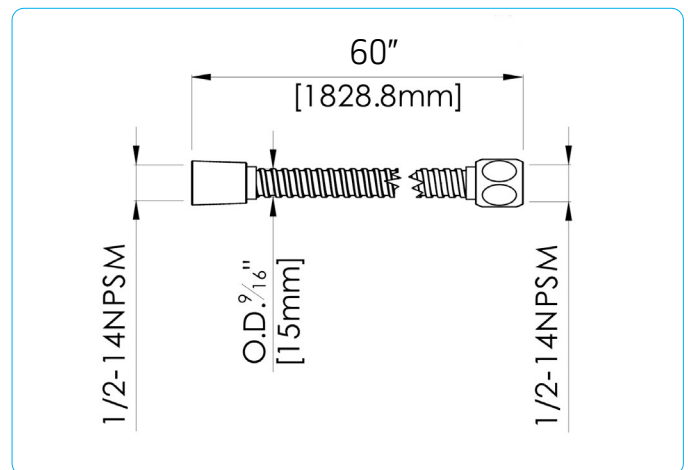
Codes & Standards:

- ANSI/ASME A112.18.1
- CSA B125.1
- ADA
- IAPMO /cUPC

Warranty:

Limited Lifetime Faucet Warranty against material and manufacturing defects for residential use.

2 Year Limited Warranty on all industrial, commercial and business applications.



Available in Polished Chrome (CP) and Brushed Nickel (BN)