

fluid Square Slip Fit Tub Spout with Diverter

FP6097034

Specifications:

- Zinc Metal Construction
- 1/2" copper slip fit inlet
- lifting diverter
- drilling hold diameter 1", (25 mm)

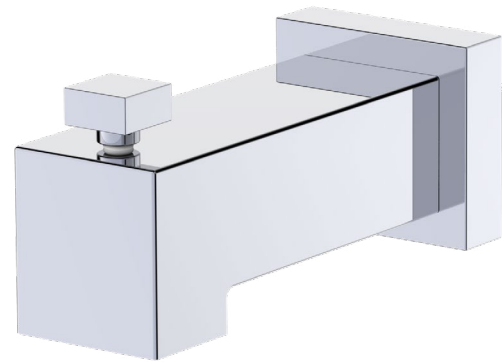
Flow Rate

- 4.5 gpm @ 60 psig



Warranty:

Limited Lifetime Faucet Warranty against material and manufacturing defects for residential use.

2 Year Limited Warranty on all industrial, commercial and business applications.



Features:

-  Metal Construction
-  Slip fit Connection

Available in Polished Chrome (CP) and Brushed Nickel (BN)

