

Wisdom Curved Tub Spout & 6" Shower Head Trim Kit

F284109T

Specifications:

- Metal construction for durability and reliability
- Pressure balancing single handle diverting and volume control
- Max-temperature limit stop for added safety
- Integral stop check valves for easy maintenance
- Valve and trim packages are sold separately
- Requires the fluid F1002B or F1022B pressure balancing valve, (sold separately and available in solder, PEX and PEX-W.)

Components:

F1001T	Sleeve Tube and Cap
FP6028341	Wisdom Handle
FP6001035-1PB	Round Cover Plate
FP6098035L	7.5" Curved Tub Spout
FP6016008	8" Shower Arm
FP6000350	6" Round Shower Head



Features:

-  Requires F1002B
-  Bubble Level
-  Integral Stops
-  Slip Fit Connection

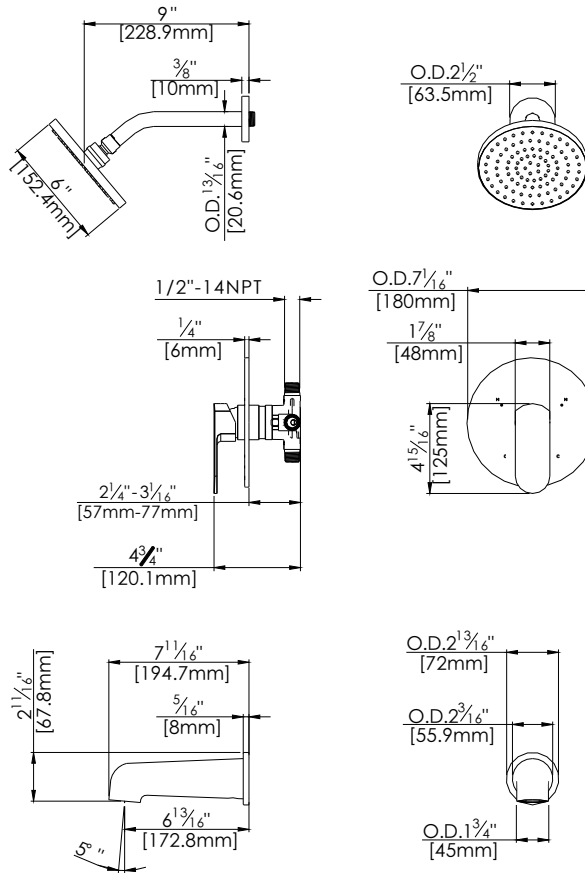
Polished Chrome (CP), Brushed Nickel (BN) and Matte Black (MB)

F284109T July 2023



Technical Drawing

F284109T



Warranty:

Limited Lifetime Faucet Warranty against material and manufacturing defects for residential use.
2 Year Limited Warranty on all industrial, commercial and business applications.

Codes and Standards:

ANSI/ASME A112.18.1
CSA B125.1
IAPMO / cUPC Listed
EPA Watersense Listed

Flow Rate:

Shower Head 1.8 gpm @ 60 psig
Tub Spout 4.5 gpm @ 60 psig

Low Flow Alternative: Shower Head @ 1.5 gpm: **F284109T-15**

F284109T July 2023

fluid by **Sustainable Solutions**

8395 Riverbend Court, Burnaby, BC
V3N 5E7, Canada

