

Citi 8" Pipe Tub Spout Only Trim Kit

F241084T

Specifications:

- Metal construction for durability and reliability
- Pressure balancing volume control
- Max-temperature limit stop for added safety
- Integral stop check valves for easy maintenance
- Valve and trim packages are sold separately
- Requires the fluid F1001B pressure balancing valve, (sold separately and available in solder, PEX and PEX-W.)

Components:

F1001T	Sleeve Tube and Cap
FP6024041	Citi Handle
FP6001035-1PB	Round Cover Plate
F6057034	8" Pipe Tub Spout



Features:

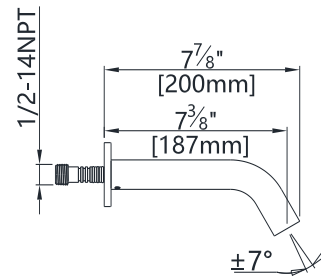
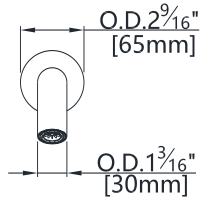
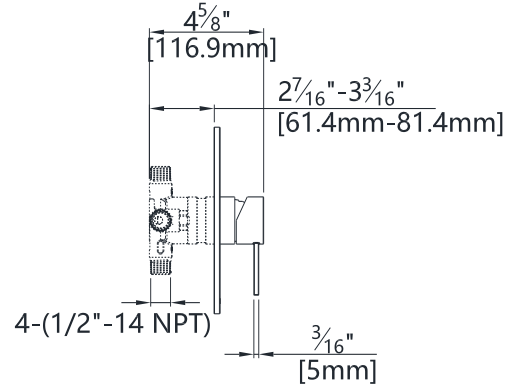
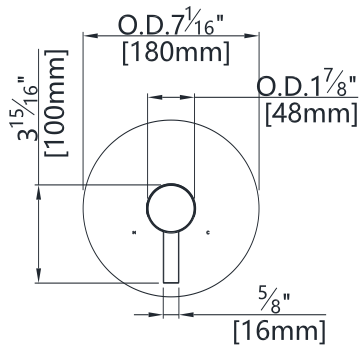
-  Requires F1001B
-  Bubble Level
-  Integral Stops
-  Speed Connect

Polished Chrome (CP), Brushed Nickel (BN) and Matte Black (MB)



Technical Drawing

F241084T



Warranty:

Limited Lifetime Faucet Warranty against material and manufacturing defects for residential use.
2 Year Limited Warranty on all industrial, commercial and business applications.

Codes and Standards:

ANSI/ASME A112.18.1
CSA B125.1
IAPMO / cUPC Listed
EPA Watersense Listed

Flow Rate:

Tub Spout 4.5 gpm @ 60 psig

F241084T July 2023

fluid by **Sustainable Solutions**

8395 Riverbend Court, Burnaby, BC
V3N 5E7, Canada

