

Utopia Curved Tub Spout & 4" Shower Trim Kit, (F1002B)

F184107T

Specifications:

- Metal construction for durability and reliability
- Pressure balancing volume control
- Max-temperature limit stop for added safety
- Integral stop check valves for easy maintenance
- Valve and trim packages are sold separately
- Requires the fluid F1001B pressure balancing valve, (sold separately and available in solder, PEX and PEX-W.)

Components:

F1001T	Sleeve Tube and Cap
FP6018041	Utopia Handle
FP6001035-2PS	Round Cover Plate
FP6016008	8" Shower Arm
FP10120	4" Shower Head
FP6098035L	7.5" Curved Tub Spout



Features:

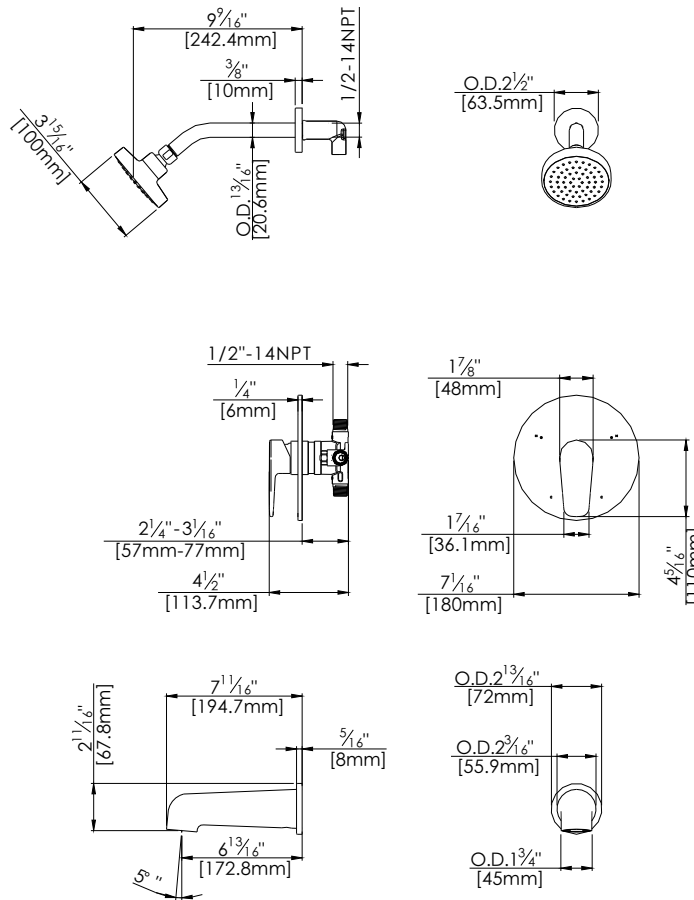
-  Requires F1002B
-  Bubble Level
-  Integral Stops
-  Slip Fit Connection

Polished Chrome (CP), Brushed Nickel (BN)



Technical Drawing

F184107T



Warranty:

Limited Lifetime Faucet Warranty against material and manufacturing defects for residential use.
2 Year Limited Warranty on all industrial, commercial and business applications.

Codes and Standards:

ANSI/ASME A112.18.1
CSA B125.1
IAPMO / cUPC Listed
EPA Watersense Listed

Flow Rate:

Tub Spout 4.5 gpm @ 60 psig
Shower Head 1.8 gpm @ 60 psig

Low Flow Alternative: Shower Head @ 1.5 gpm: **F184107T-15**

