

Utopia 3 Function Hand Shower Trim Kit with FA802 Slide Bar

F181019T

Specifications:

- Metal construction for durability and reliability
- Pressure balancing volume control
- Max-temperature limit stop for added safety
- Integral stop check valves for easy maintenance
- Valve and trim packages are sold separately
- Requires the fluid F1001B pressure balancing valve, (sold separately and available in solder, PEX and PEX-W.)

Components:

F1001T	Cartridge Sleeve
FP6018041	Utopia Handle
FP6001035-1PB	Round Cover Plate
FP40120	3 Function Hand Shower*
FA802	Slide Bar with Integral Outlet
FP6001006	60" Shower Hose*



Features:

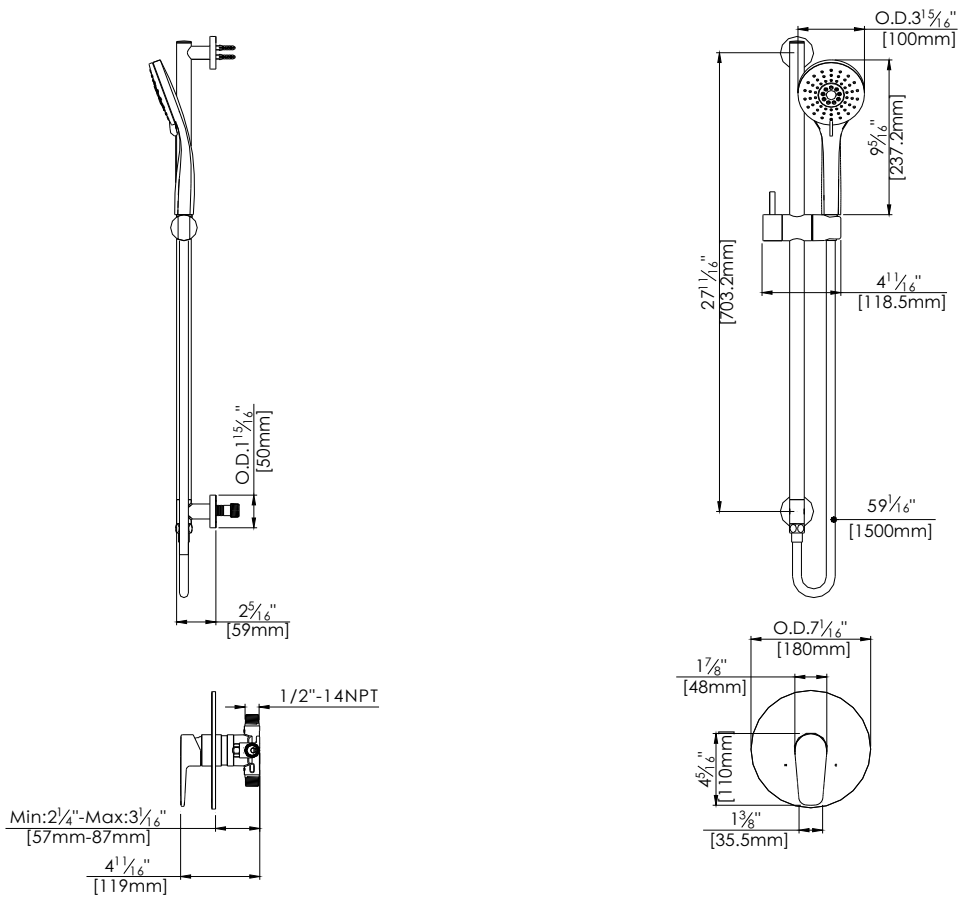
-  Requires F1001B
-  Bubble Level
-  Integral Stops
-  Speed Connect

Polished Chrome (CP), Brushed Nickel (BN)



Technical Drawing

F181019T



Warranty:

Limited Lifetime Faucet Warranty against material and manufacturing defects for residential use.
2 Year Limited Warranty on all industrial, commercial and business applications.

Codes and Standards:

ANSI/ASME A112.18.1
CSA B125.1
IAPMO / cUPC Listed
EPA Watersense Listed

Flow Rate:

Hand Shower 1.8 gpm @ 60 psig
Low Flow Alternative: Hand Shower @ 1.5 gpm: **F181019T-15**

