

Quad 3 function Hand Shower Trim Kit with FA803 Slide Bar

F161019T

Specifications:

- Metal construction for durability and reliability
- Pressure balancing volume control
- Max-temperature limit stop for added safety
- Integral stop check valves for easy maintenance
- Valve and trim packages are sold separately
- Requires the fluid F1001B pressure balancing valve, (sold separately and available in solder, PEX and PEX-W.)

Components:

F1001T	Cartridge Sleeve
FP6016041	Quad Handle
FP6001033-1PB	Square Cover Plate
FP40120	3 Function Hand Shower*
FA803	Slide Bar with Integral Outlet
FP6001006	60" Shower Hose*

* Matte black uses an FP6001007MB Shower Hose & FP40130MB 3 Function Hand Shower

Features:

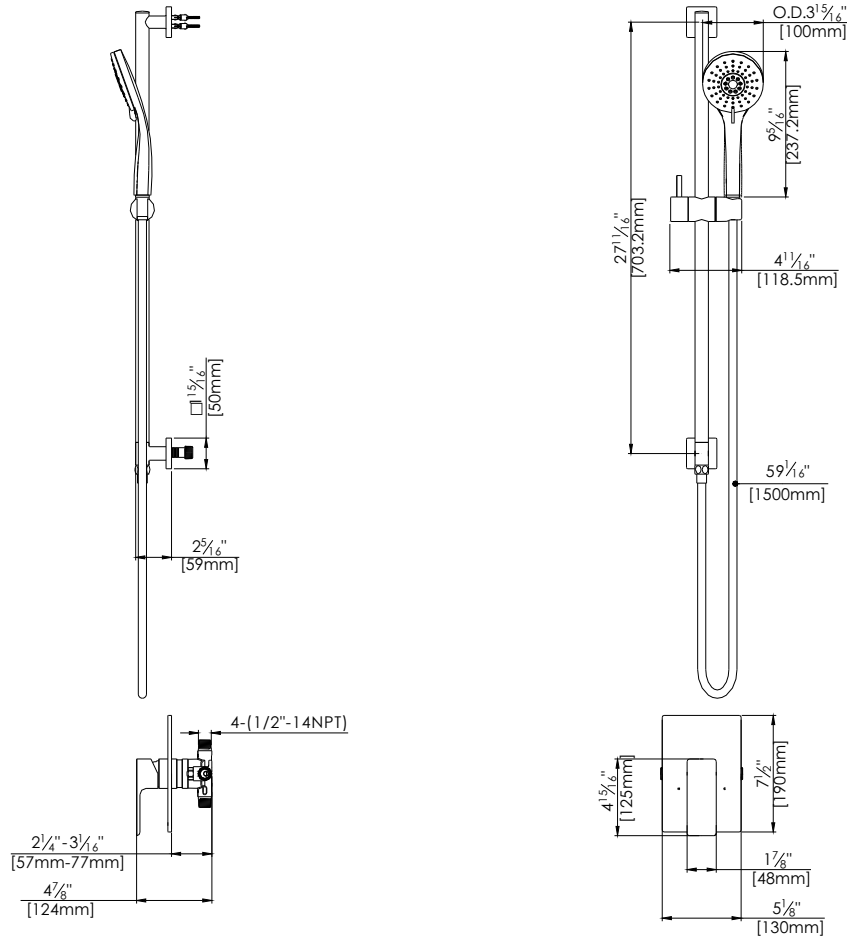
-  Requires F1001B
-  Bubble Level
-  Integral Stops
-  Speed Connect



Polished Chrome (CP), Brushed Nickel (BN) and Matte Black (MB)

Technical Drawing

F161019T



Warranty:

Limited Lifetime Faucet Warranty against material and manufacturing defects for residential use.
2 Year Limited Warranty on all industrial, commercial and business applications.

Codes and Standards:

ANSI/ASME A112.18.1
CSA B125.1
IAPMO / cUPC Listed
EPA Watersense Listed

Flow Rate:

Hand Shower 1.8 gpm @ 60 psig
Low Flow Alternative: Hand Shower @ 1.5 gpm: **F161019T-15**

