

## Yaletown 3 Function Hand Shower on Slide Bar

F191019T

### Specifications:

- Metal construction for durability and reliability
- Pressure balancing volume control
- Maximum temperature limit stop for added safety
- Integral stop check valves for easy maintenance
- Valve and trim packages are sold separately
- Requires the fluid F1001B pressure balancing valve, (sold separately and available in solder, PEX and PEX-W, F1960 Expansion PEX.)

### Components:

- F1001T ..... Cartridge Sleeve
- FP6019041 ..... Yaletown Handle
- FP6001035-1PB ..... Round Cover Plate
- FP40120 ..... 3 Function Hand Shower\*
- FA802 ..... Slide Bar with Integral Outlet
- FP6001006 ..... 60" Shower Hose\*

\* Matte Black kits feature the FP6001007MB Shower Hose & FP40130MB 3-Function Hand Shower

### Features:

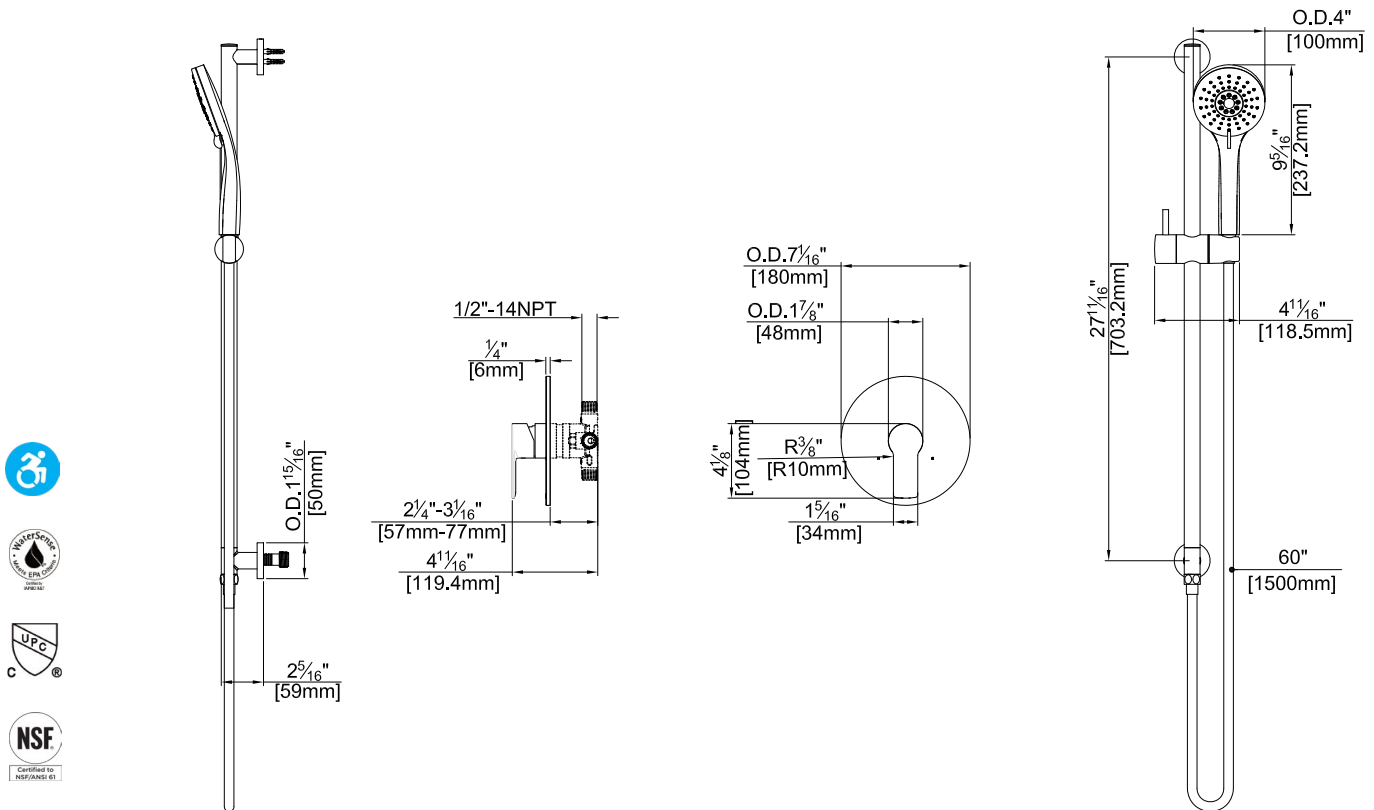
-  Requires F1001B
-  Bubble Level
-  Integral Stops
-  Speed Connect



Polished Chrome (CP), Brushed Nickel (BN) and \*Matte Black (MB)

## Technical Drawing

# F191019T



### Warranty:

Limited Lifetime Faucet Warranty against material and manufacturing defects for residential use.  
2 Year Limited Warranty on all industrial, commercial and business applications.

### Codes and Standards:

ANSI/ASME A112.18.1  
CSA B125.1  
IAPMO / cUPC Listed  
EPA Watersense Listed

### Flow Rate:

Hand Shower 1.8 gpm @ 60 psig  
  
Low Flow Alternative: Hand Shower @ 1.5 gpm: **F191019T-15**

