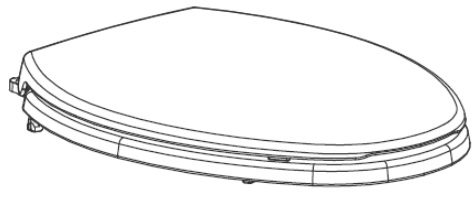
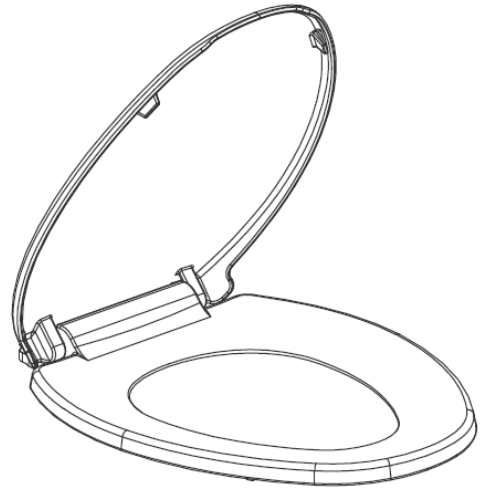
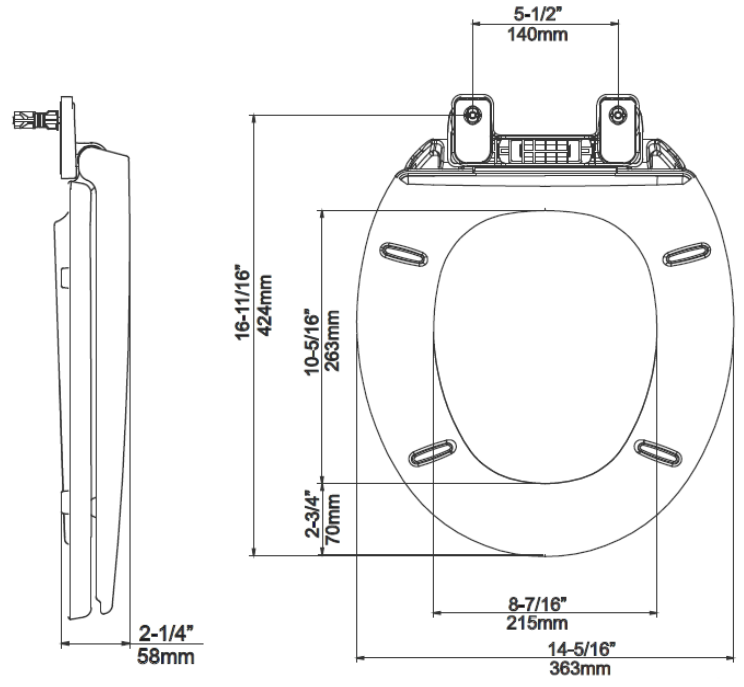




SPECIFICATIONS

Soft Close Round Front Toilet Seat Model 326201W (Top Fixing)



326201W_ Specification /2.0 2023