

### SPECIFICATIONS

Customer Service: 1-800-460-7019  
www.fluidfaucets.com

#### Specifications

- Metal construction for durability and reliability
- Pressure balancing volume control
- Single handle 2-way diverting with Quad handle
- Max-temperature limit stop for added safety
- Integral stop check valves for easy maintenance
- Requires pressure balancing valve F1002B or F1002B-PEX or F1002B-PEX-W
- Valve and trim packages are sold separately

#### Finish

- CP (Polished Chrome)
- BN (PVD Brushed Nickel)

#### Codes and Standards

- ANSI/ASME A112.18.1
- CSA B125.1
- IAPMO / cUPC

#### Warranty

- Limited Lifetime Faucet Warranty against material and manufacturing defects for residential use.
- 2 Year Limited Warranty on all industrial, commercial and business applications.

### fluid Quad Square Trim Kit for Pressure Balancing In-Wall Valve Model: FP6016332-2PS

Includes:

F1001T

FP6001033-2PS

FP6016041

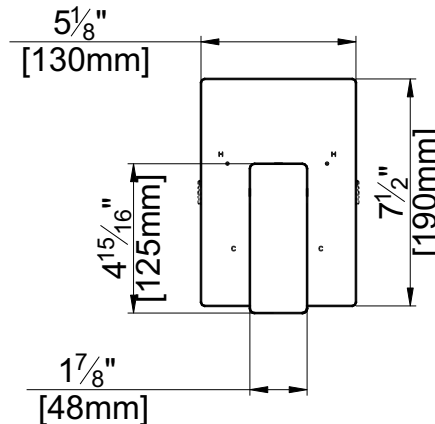
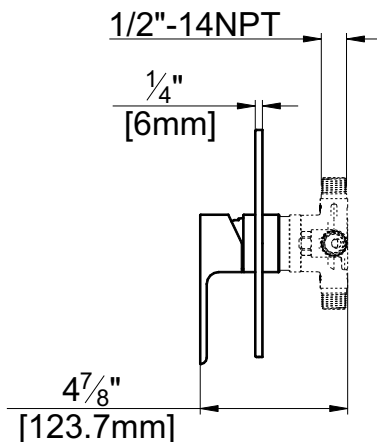
Sleeve Tube and Cap

Square Cover Plate

Quad Handle



#### FP6016332-2PS



#### F1002B

