

SPECIFICATIONS

Customer Service: 1-800-460-7019
www.fluidfaucets.com

Specifications

- Metal construction for durability and reliability
- Pressure balancing volume control
- Max-temperature limit stop for added safety
- Integral stop check valves for easy maintenance
- Requires pressure balancing valve F1002B or F1002B-PEX or F1002B-PEX-W
- Valve and trim packages are sold separately

Finish

- CP (Polished Chrome)
- BN (PVD Brushed Nickel)
- MB (Matte Black)

Codes and Standards

- ANSI/ASME A112.18.1
- CSA B125.1
- IAPMO / cUPC

Warranty

- Limited Lifetime Faucet Warranty against material and manufacturing defects for residential use.
- 2 Year Limited Warranty on all industrial, commercial and business applications.

fluid Oceanside/Vancouver Square Trim Kit for Pressure Balancing In-Wall Valve

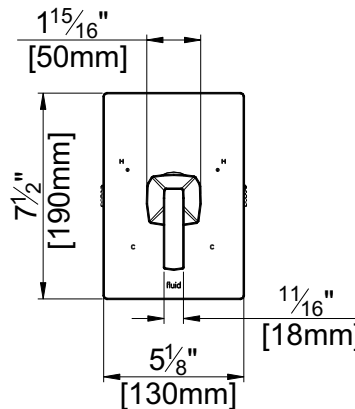
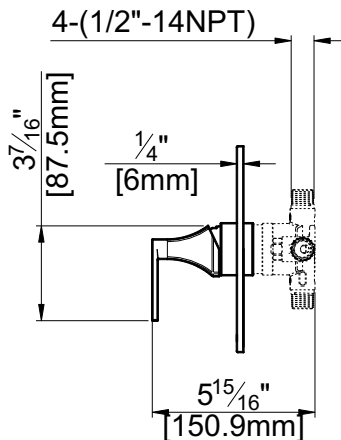
Model: FP6023332-2PS

Includes:

- | | |
|---------------|---------------------|
| F1001T | Sleeve Tube and Cap |
| FP6001033-2PS | Square Cover Plate |
| FP6023041 | Oceanside Handle |



FP6023332-2PS



F1002B

