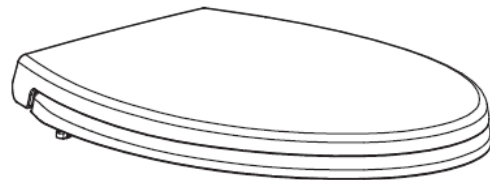
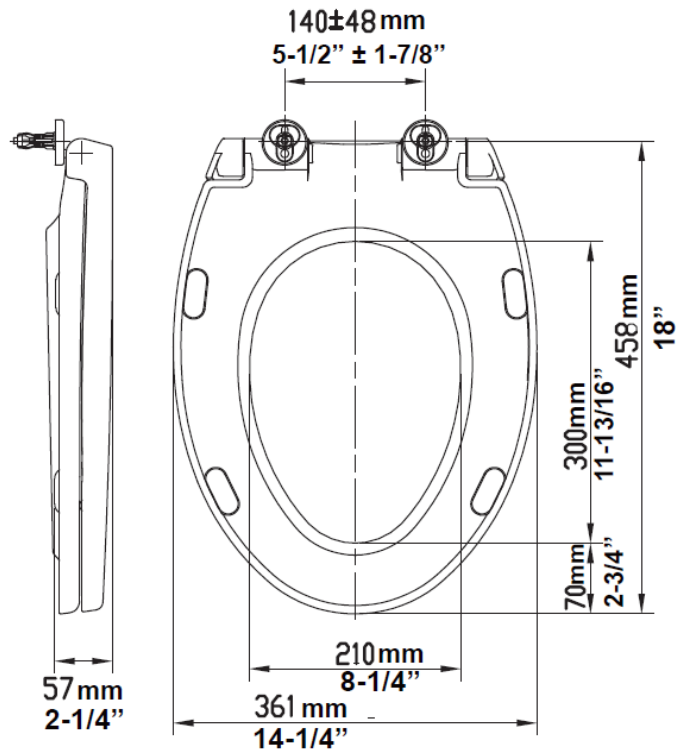
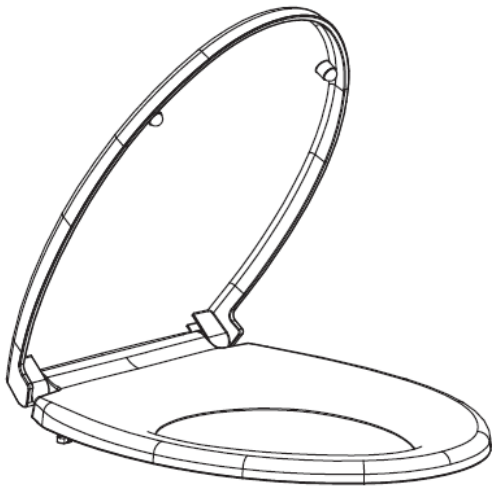


### ***SPECIFICATIONS***

#### **Caroma Soft Close Detachable Elongated Seat**

**Model 326611W** (Top Fixing)

**326610W** (Bottom Fixing)



326610W\_326611W\_ Specification /REV0 2015

