

Specifications

- Undermount single bowl kitchen sink
- High quality fluid sink is hand made of #18 gauge type 304 stainless steel.
- Overall dimension:
16" (406mm) x 14" (455mm) x 7" (178mm)
- Minimum cabinet size: 20" (508mm)
- Has 3-1/2" (90mm) diameter recessed drain opening.
- Full undercoating and large rubber pads for noise reduction and condensation elimination.
- The exposed surfaces are polished to a satin finish.
- Cut-out template and mounting hardware are included.
- Stainless steel basket strainer is available and sold separately.
- The sink is stack packed in bulk.

fluid Tight Radius Undermount Single Bowl Kitchen Sink Model: FSN-USR1614

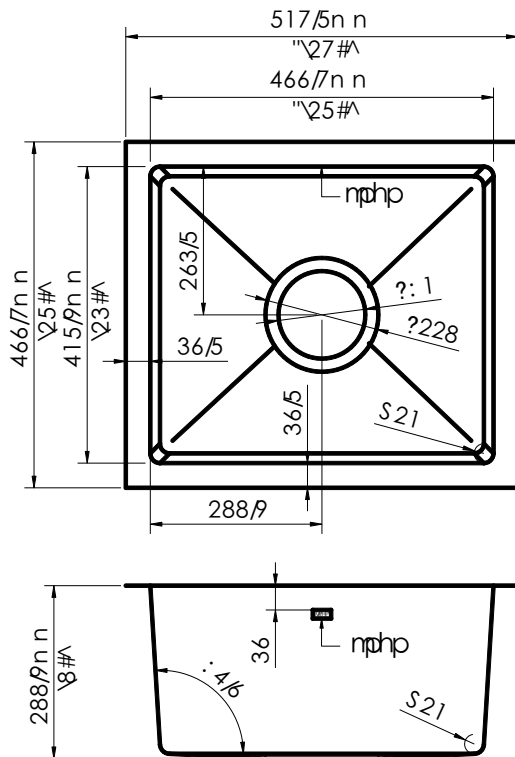


Codes and Standards

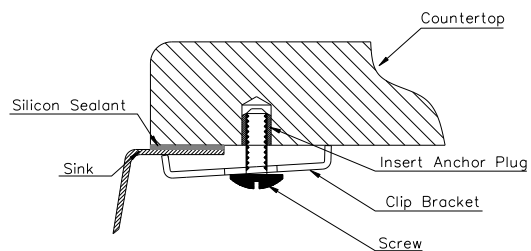
- ANSI/ASME A112.19.3
- CSA B45 Series-02
- IAPMO / cUPC Listed

Warranty

- Limited Lifetime Sink Warranty against material and manufacturing defects for residential use.
- 2 Year Limited Warranty on all industrial, commercial and business applications.



Installation Detail



IMPORTANT NOTE:

Cut-out template is included in the carton box. Fabricator must check it for accuracy. We are not responsible for wrong cutting.