

fluid

Innovative fixtures for life

SPECIFICATIONS

Sustainable Solutions

Customer Service: 1-800-460-7019
www.fluidfaucets.com

Specifications

- Heavy brass construction for durability and reliability
- High quality ceramic cartridge ensures life-long trouble-free service
- Single lever handle operation allows both volume and temperature control
- Max-temperature limit stop for added safety.
- Fluid Eco-Care swivel aerator 1.0 gpm (3.8 lpm) at 60 psi
- Extra long flexible connection for easy installation
- Single-hole mounting with a supplied wrench tool
- 1-1/2" faucet hole size for drilling recommended
- Includes quick clean waste pop-up drain

Finish

- CP (Polished Chrome)
- BN (PVD Brushed Nickel)
- MB (Matte Black)

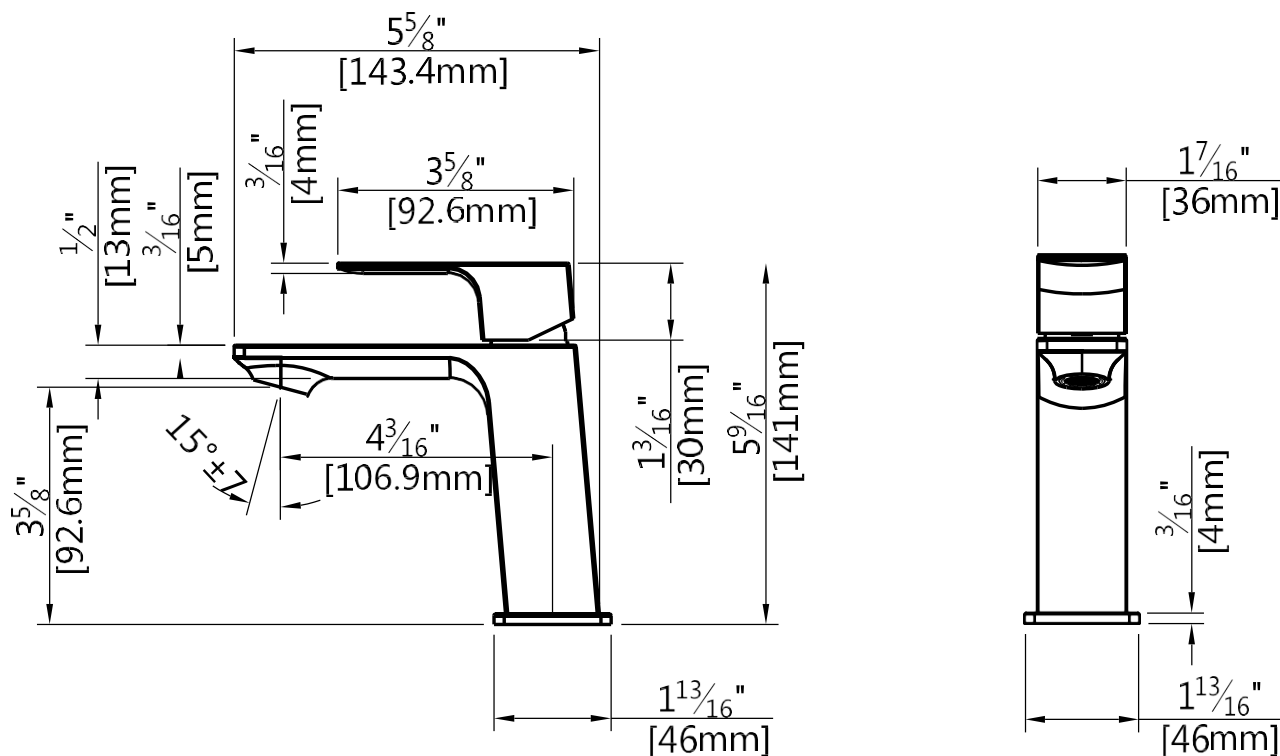
Codes and Standards

- ANSI/ASME A112.18.1
- CSA B125.1
- NSF61-9
- IAPMO / cUPC Listed
- EPA Watersense Listed
- AB1953 California Lead Plumbing Law Certified

Warranty

- Limited Lifetime Faucet Warranty against material and manufacturing defects for residential use.
- 2 Year Limited Warranty on all industrial, commercial and business applications.

fluid Quad Series Single Handle Lavatory Faucet Model: F16003



Sustainable Solutions

8395 Riverbend Court, Burnaby, BC
V3N 5E7, Canada

F16003 / REVO 2020