

# Limited Lifetime Faucet Warranty

Fluid<sup>®</sup> warrants its faucets to be free from defects in material and workmanship for as long as the original consumer purchaser owns his or her home.\* This warranty applies only in original installation location. If a defect is found in normal residential use, Fluid<sup>®</sup> will, at its election, repair, provide a replacement part or product, or make an appropriate adjustment. Fluid<sup>®</sup> reserves the right to examine the product in question and its installation prior to replacement. This warranty is limited to replacement of defective parts only. Damage to a product caused by accident, improper installation, misuse, or abuse is not covered by this warranty. Improper care and cleaning will void the warranty.\*\* Replacement parts can be obtained from your local dealer or directly from the Fluid<sup>®</sup> warehouse. Dated proof of purchase must accompany all warranty claims. This warranty applies only to Fluid<sup>®</sup> faucets installed in the United States of America, Canada or Mexico (North America).

Fluid<sup>®</sup> recommends using a certified plumber for faucet installation and repair. Incidental and consequential damages, labor charges, repair or replacement costs are expressly excluded. In no event shall the liability of Fluid<sup>®</sup> exceed the purchase price of the faucet. Some states and provinces do not allow the exclusion or limitation of incidental or consequential damages, so the above limitation may not apply to you. This warranty gives you specific legal rights which vary from state/province to state/province. If you find any such problem with your product, please immediately contact your nearest Fluid<sup>®</sup> dealer or sales representative.

## Need Help?

For additional assistance or service call  
Toll Free: 1 800 460 7019  
Fax: 1 604 430 5050  
[www.fluidfaucets.com](http://www.fluidfaucets.com)

\* Two year warranty on commercial applications.

\*\* Never use cleaners containing abrasive cleansers, ammonia, bleach, acids, waxes, alcohol, solvents or other products not recommended for surface finishes. This will void the warranty.

This faucet meets or exceeds the following standards:  
ASME A112.18.1 / CSA B125.1 / NSF61-9  
AB1953 California Lead Plumbing Law Certified  
This product has been tested and certified by IAPMO.



IAPMO LISTED



Sustainable Solutions International  
Phone: 1 800 460 7019  
[www.SustainableSolutions.com](http://www.SustainableSolutions.com)

# fluid |



## Installation Instructions for Single Lever Lavatory Faucet

Note: faucet products with the model number starting with "CF" are in compliance to AB1953 California Lead Plumbing Law.

Please Keep This Manual For Future Reference

# Tools Required for Installation



Allen Wrench



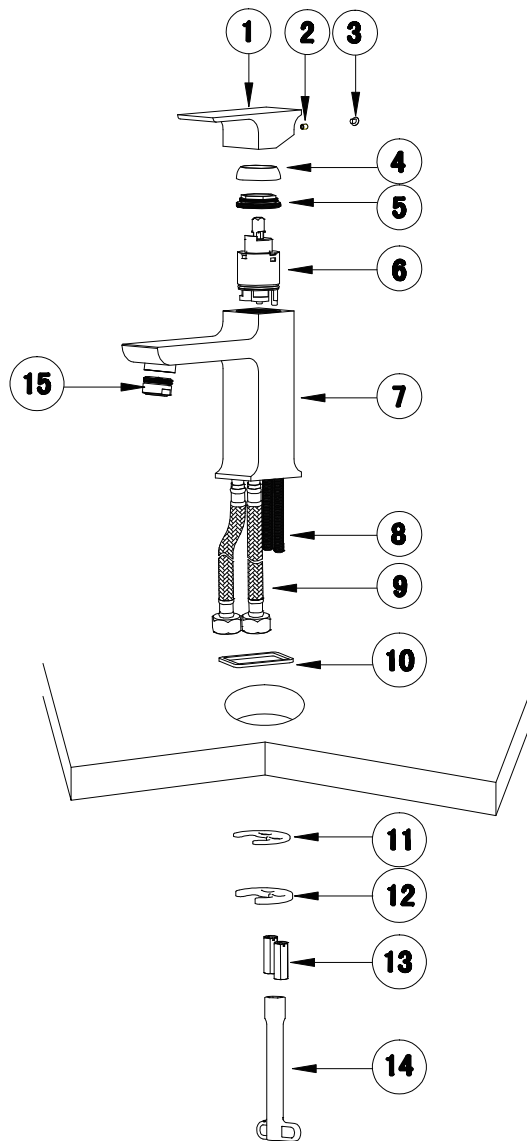
Socket Wrench



Teflon Tape



Adjustable Wrench



# Installation Instructions

1. Shut off cold and hot water supply.
2. Ensure on the mounting surface, faucet hole should be minimum 1-1/4" and maximum 1-1/2" in diameter.
3. Place the rubber seal washer (#10) at the base of the faucet body (#7) by sliding it over the stainless steel flex hoses (#9) and the mounting bolt(s) (#8).
4. Pass the stainless steel flex hoses (#9) and the mounting bolt(s) (#8) through the faucet hole on the basin from above.
5. Place the faucet in position on the basin.
6. Assemble the rubber mounting washer (#11) and the mounting plate (#12) by sliding them over the mounting bolt(s) (#8).
7. Screw the mounting nut(s) (#13) onto the mounting bolt(s) (#8), and tighten using the enclosed socket wrench (#14).
8. Connect water supply. Use Teflon tape at the threaded connections.

# Care & Maintenance Instructions

SSI products are designed and engineered under strict quality standards. Regular and proper care of our products will ensure years of trouble-free service.

## For Cartridge:

1. Shut off cold and hot water supply.
2. Pull out the decorative cap (#3) and with an Allen wrench loosen the set screw (#2), but do not remove it.
3. Take off the handle, unscrew the cap (#4) by hand and remove the retaining nut (#5) by using an adjustable wrench.
4. Remove the cartridge (#6).
5. Wash the cartridge (#6) with clean running water and ensure that any trapped debris has

been removed. Dry and lightly grease the seals (use only NSF approved silicone grease).

6. Replace the cartridge (#6), the retaining nut (#5) and the cap (#4) followed by the handle (#1).

## For Aerator:

Regularly remove and wash the aerator (#15) with clean running water and ensure that any trapped debris has been removed.

## For Surface Finish:

To clean, use a soft and damp cloth with warm soapy water followed by rinsing with clean water and drying with a soft cloth. Do not use abrasive or harsh cleaners as they may result in finish damage.