



Sydney Smart
1.28/0.8 gal (4.8/3 l)
Dual Flush Back Outlet
Closet Bowl
Bowl #609450
Tank #622322

Vitreous China Dual Flush
High Efficiency (HET),
Two Piece Ultra Low Flush
(ULF) Washdown Toilet.

PLUMBERS INSTALLATION INSTRUCTIONS. PLEASE READ CAREFULLY BEFORE INSTALLATION.

IMPORTANT:

Wax ring **MUST NOT** be used when installing this toilet bowl as detailed in Fig.2. Installation must be made with the supplied universal foam gasket for wall-mounted toilets.

Working Water Pressure:

USA & Canada: Recommended working water pressure is 20-80psi (140-550Kpa).

Closet Bowl Fixing Procedure:

1. It is essential for the installation of the Sydney Smart Back Outlet two piece washdown toilet that the closet flange be accurately set out on the finished wall as detailed in Fig.3.
2. Position "T" bolts and foam gasket (supplied) onto closet flange as detailed in Fig. 4.
3. Position rear outlet adaptor onto "T" bolts and secure onto foam gasket with nuts as detailed in Fig.5.
4. Apply soapy water to the rear outlet adaptor rubber seal. Slide bowl into position, mark bowl fixing hole positions, remove the bowl and drill holes.
5. Ensure that the area around the closet bowl is clean and free from building materials.
6. Slide the closet bowl on to rear outlet adaptor and secure closet bowl with suitable fasteners (fixing supplied).
7. It is recommended that a bead of silicone caulking is applied fully around base of the closet bowl.
8. Remove any excess silicone caulking.

Tank Fixing Procedure:

1. Ensure that the foam seal is fitted onto the tail piece on the underside of the tank as detailed in Fig. 6.
2. Lower tank onto closet bowl, allowing the two tank fixing bolts protruding below the tank to fit through the corresponding holes in the closet bowl.
3. Fit the plastic wing nuts provided onto the tank fixing bolts which are protruding through the closet bowl and gradually tighten the left and right hand nuts by hand to evenly secure tank to closet bowl.

4. Connect water supply and check operation.
- Note: Tapered rubber seal and wing nut assembled at inlet valve connection end is for 3/8" hard tube/pipe connection. Remove them if 7/8" ballcock braided hose is used.

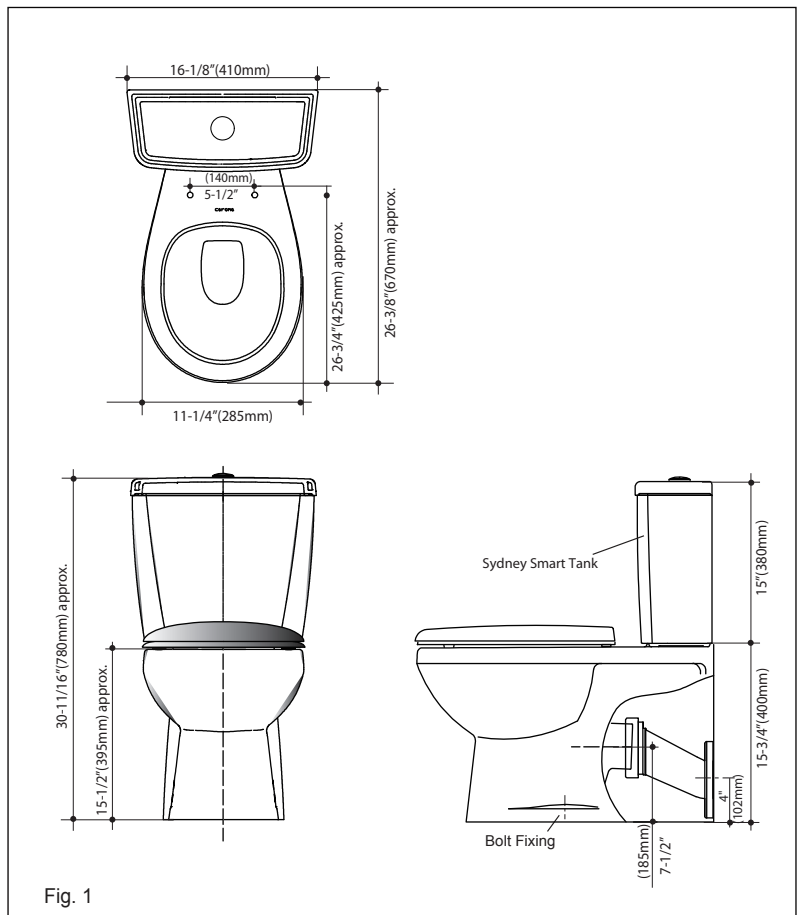


Fig. 1

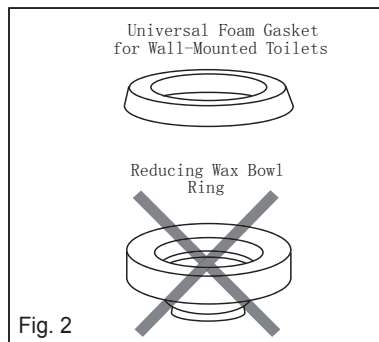


Fig. 2

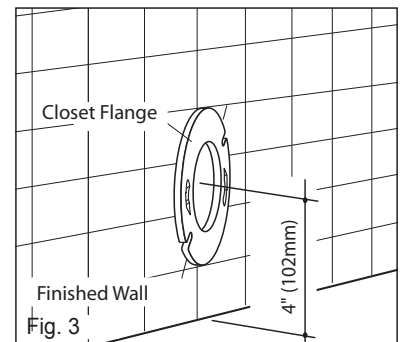


Fig. 3

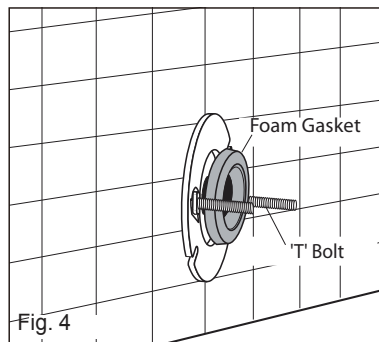


Fig. 4

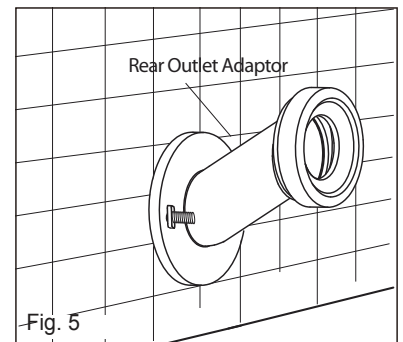


Fig. 5

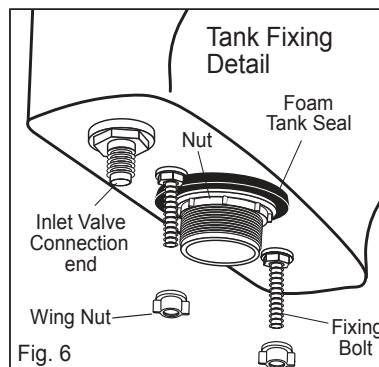


Fig. 6

All measurements are subject to accepted manufacturing tolerances. To ensure complete accuracy please check actual product dimensions before drilling for installation.

The manufacturer reserves the right to change specifications at any time without giving prior notification.

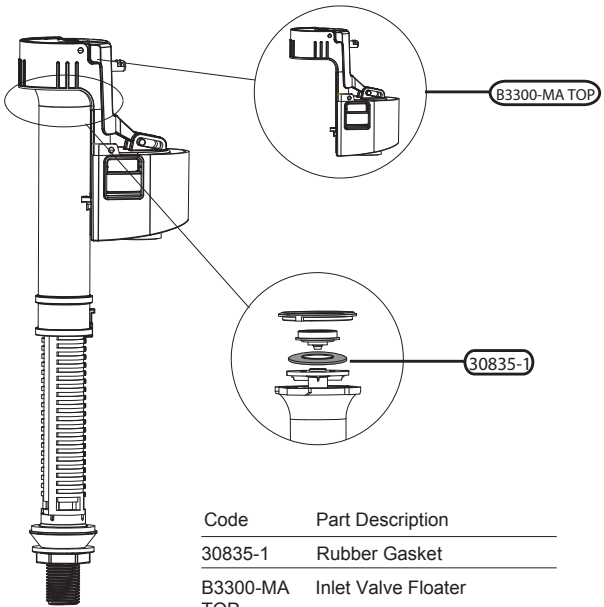
The product should be installed by a qualified plumber. Local authority, Water Board, and Building Regulations may apply to the installation of this product, and you should consult the appropriate bodies on these requirements. Failure to comply may invalidate the product warranty.

For further information please visit our website www.sustainablesolutions.com

Sydney Smart 1.28/0.8 gal (4.8/3 l) Back Outlet Closet Bowl
 Vitreous China Dual Flush High Efficiency (HET), Two Piece Ultra Low Flush (ULF)
 Washdown Toilet
 Bowl #609450 Tank #622322

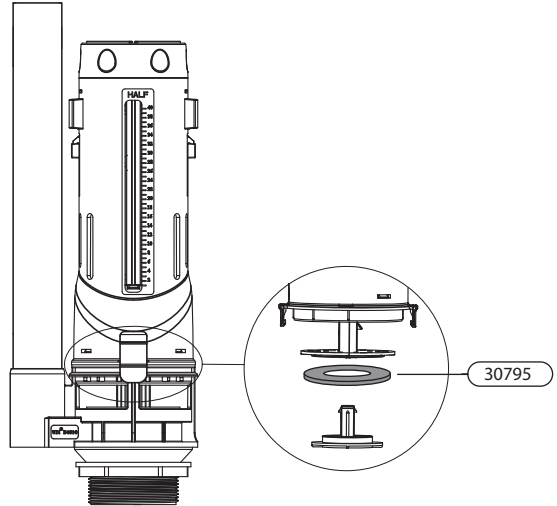
Tank Spare Parts

Inlet Valve Replacement Parts



Code	Part Description
30835-1	Rubber Gasket
B3300-MA TOP	Inlet Valve Floater
B3300-MA	Inlet Valve

Outlet Valve Replacement Parts



Code	Part Description
30795	Outlet Valve Diaphragm Seal
B4910T-G	Outlet Valve 1.28/0.8 Gal (4.8/3 L)

CLEANING INSTRUCTIONS FOR VITREOUS CHINA:

To preserve the glazed surface, this toilet should be cleaned only with a mild household detergent or warm soapy water. Do not use any abrasive cleaners in the tank or bowl as this can damage the glazing.

For spare parts contact:



Under license from Caroma Industries Limited, Australia
 Manufactured by SSI Sustainable Solutions International
 Los Angeles, CA + Vancouver, BC
 Telephone: (604) 430.2020
 Fax: (604) 430.5050
 Toll Free: (800) 460.7019
help@sustainablesolutions.com
www.caromausa.com www.sustainablesolutions.com