

### Specifications

- Heavy brass construction for durability and reliability
- Easy operation; push to raise stopper and open drain and push again to lower stopper and close drain.
- Brass mounting hardware
- Extra thick rubber washers to achieve water tight seal

### Finish

- CP (Polished Chrome)
- BN (PVD Brushed Nickel)
- PN (PVD Polished Nickel)

### Codes and Standards

- ANSI/ASME A112.18.1
- CSA B125.1
- IAPMO / cUPC Listed

### Warranty

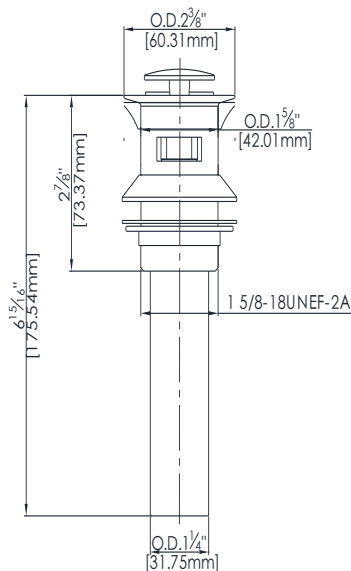
- Limited Lifetime Faucet Warranty against material and manufacturing defects for residential use.
- 2 Year Limited Warranty on all industrial,

## fluid Waste Pop Up Drain

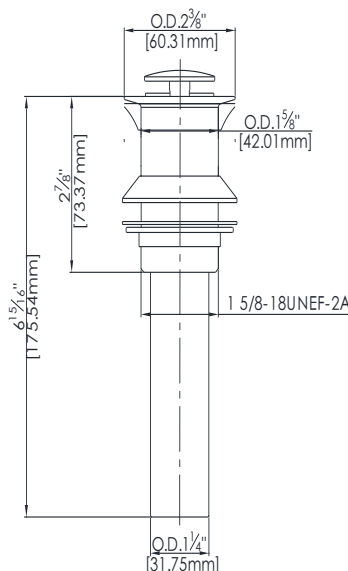
**Model: FA725 with overflow**

**FA725B without overflow**

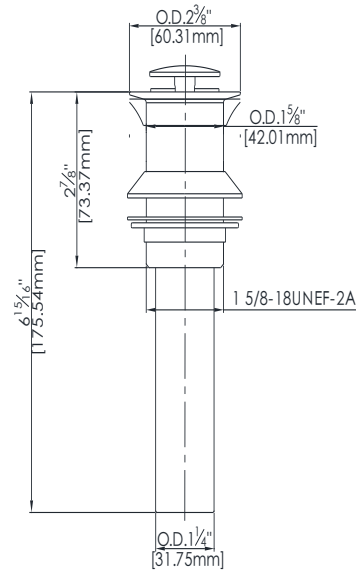
**FA725C always open & without**



**FA725**



**FA725B**



**FA725C**

