

# Limited Lifetime Faucet Warranty

Fluid™ warrants its faucets to be free from defects in material and workmanship for as long as the original consumer/purchaser/owner owns his or her home.\* Plastic and rubber components are warranted for a period of two years. This warranty applies only to original installation locations. If a defect is found in normal residential use, Fluid™ will, at its election, repair, provide a replacement part or product, or make the appropriate adjustment. Fluid™ reserves the right to examine the product in question and its installation prior to replacement. This warranty is limited to replacement of defective parts only. Damage to a product caused by accident, improper installation, misuse or abuse, improper care of finishes, hard water or mineral deposits, potassium or salt based water softener systems or exposure to corrosive materials is not covered by this warranty. Improper care and cleaning will void the warranty.\*\* Replacement parts can be obtained from your local dealer or directly from the Fluid™ warehouse, (shipping charges may apply). Dated proof of purchase must accompany all warranty claims. This warranty applies only to Fluid™ faucets installed in the United States of America, Canada or Mexico (North America). Fluid™ recommends using a certified plumber for faucet installation and repair. Incidental and consequential damages, labor charges, repair or replacement costs are expressly excluded. In no event shall the liability of Fluid™ exceed the purchase price of the faucet. Some states and provinces do not allow the exclusion or limitation of incidental or consequential damages, so the above limitation may not apply to you. This warranty gives you specific legal rights which vary from state/province to state/province. If you find any such problem with your product, please immediately contact your nearest Fluid™ dealer or sales representative.



## Need Help?

For additional assistance  
Toll Free: 1 800 460 7019  
Fax: 1 604 430 5050  
help@sustainablesolutions.com  
www.sustainablesolutions.com

## Installation Instructions for Slide Rail with Water Outlet

\* Two year warranty on commercial applications.

\*\* Never use cleaners containing abrasive, ammonia, bleach, acids, waxes, alcohol, solvents or other products not recommended for surface finish. This will void the warranty.

This faucet meets or exceeds the following standards:  
ASME A112.18.1 / CSA B125.1  
This product has been tested and certified by IAPMO.





**Sustainable  
Solutions**

Sustainable Solutions  
Phone: 1 800 460 7019  
www.SustainableSolutions.com

Slide Bar with Water Outlet / FA80z / 2019 V1

Please Keep This Manual For Future Reference

# Tools Required for Installation

-  3/32"(2.5mm) Allen Wrench (supplied)
-  Drill with 1/4" and 1/2" Bit (not supplied)

-  5/16"(8mm) Allen Wrench (not supplied)
-  Teflon Tape

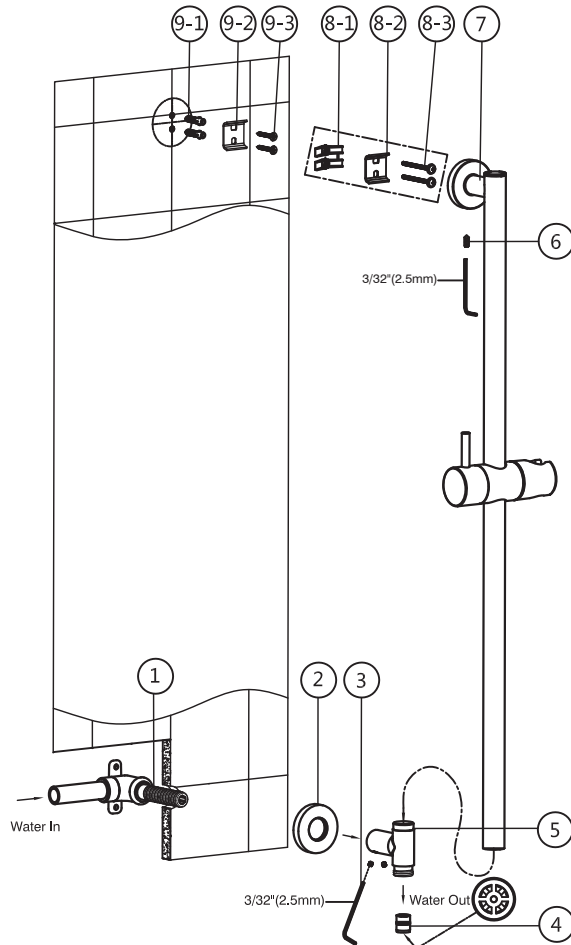
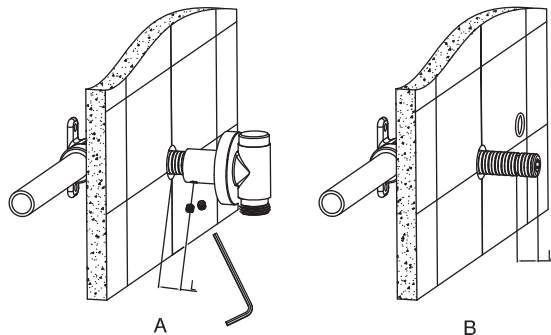


Fig. 1



# Installation Instructions

1. Shut off water supply.
2. Screw and tighten Speed Connector (#1) with a 5/16" (8mm) Allen wrench into 1/2" NPT drop elbow behind the wall after wrapping threads with Teflon tape.
3. Slide the water connection unit (#5) with the escutcheon (#2) over Speed Connector (#1) as far as it can go. If the water connection unit rests against the finished wall, no cutting is required and you can proceed to step #11. If the water connection unit stops short of the finished wall (so part of the Speed Connector is still visible as shown in Fig. 1A), proceed to step #4.  
Important Note: At least 6 O-Rings on the Speed Connector must remain outside the finished wall or there will not be enough support for the slide rail.
4. Per Fig. 1, measure the gap/distance "L" between the water connection unit (#5) and the finished wall.
5. Remove the water connection unit (#5).
6. Mark the previously measured distance "L" as shown in Fig. 1B from the tip of Speed Connector (#1).
7. Remove O-Ring closest to the mark (distance "L") toward the finished wall. Ensure at least 6 O-Rings remain in place on the Speed Connector (#1) outside the finished wall.
8. Cut the Speed Connector (#1) with a saw at the groove where the O-Ring was removed to eliminate the excess length.
9. Sand or brush clean the cutting location to remove burrs and foreign materials.
10. Again, slide the water connection unit (#5) with the escutcheon (#2) over the Speed Connector (#1) until the connector rests against the finished wall.
11. Tighten the water connection with the two set screws with the supplied 3/32" (2.5mm) Allen wrench (#3).
12. Fit the slide rail unit (#7) over the water connection unit (#5).
13. Use a pencil and mark the location of escutcheon (#7) on the finished wall and then remove the slide rail.
14. Determine if you are installing onto a solid or hollow wall and choose appropriate enclosed mounting hardware package. If installing onto a solid wall, use the mounting kit "9", if installing onto a hollow wall, use hardware package "8" with spring toggle bolts.
  - 14.1 For a solid wall, use the supplied plastic anchors. Drill two 1/4" (5.5mm) holes into the finished wall. Insert the supplied plastic anchors (#9-1) into the drilled holes. Securely attach the mounting bracket (#9-2) onto the finished wall with the supplied screws (#9-3). Tighten with a Phillips screwdriver.
  - 14.2 For a hollow wall, use the supplied spring toggle bolts. Drill two 1/2" (11mm) holes into the finished wall. Assemble spring toggle anchor (#8-1) and bolt (#8-3) with the mounting bracket (#8-2). Insert the spring toggle anchor (#8-1) through holes and tighten screws (#8-3) with a Phillips screwdriver.
15. Fit the slide rail unit (#7) over the water connection unit (#5) and then attach onto the mounting bracket (#8-2 or #9-2). Tighten set screw with the supplied Allen wrench.

# Care & Maintenance

fluid™ products are designed and engineered under strict quality standards. Regular and proper care of our products will ensure years of trouble-free service.

For Anti Backflow Device:  
Regularly remove the anti backflow device (#4) with small pliers. Wash it with clean running water and ensure any trapped debris has been removed. Re-install the anti backflow device (#4) by inserting into the outlet port of water connection unit (#5). Ensure the "Cross" end faces outward. If inserted backwards,

water will not flow through the slide rail.  
For Surface Finish:  
Clean with a damp cloth and warm soapy water. Then, simply rinse off and wipe dry with a soft cloth. Do not use abrasive or harsh cleaners as they may result in finish damage.