

Specifications

- Undermount single bowl kitchen sink
- High quality fluid sink is hand made of #18 gauge type 304 stainless steel
- Overall dimension: 29" (736mm) x 18" (457mm) x 9" (229mm)
- Minimum cabinet size: 32" (813mm)
- Has 3-1/2" (90mm) diameter recessed drain opening.
- Full undercoating and large rubber pads for noise reduction and condensation elimination.
- The exposed surfaces are polished to a satin finish.
- Cut-out template and mounting hardware are included.
- Stainless steel basket strainer is available and sold separately.
- The sink is stack packed in bulk.

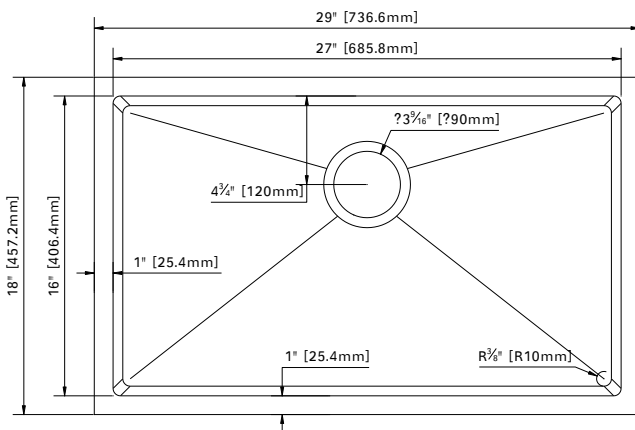
Codes and Standards

- ANSI/ASME A112.19.3
- CSA B45 Series-02
- IAPMO / cUPC Listed

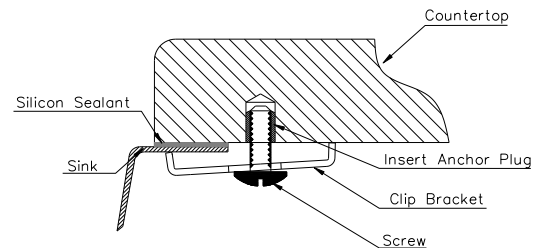
Warranty

- Limited Lifetime Sink Warranty against material and manufacturing defects for residential use.
- 2 Year Limited Warranty on all industrial, commercial

fluid Tight Radius Undermount Single Bowl Kitchen Sink



Installation Detail



IMPORTANT NOTE:

Cut-out template is included in the carton box. Fabricator must check it for accuracy. We are not responsible for wrong cutting.