

Specifications

- Heavy brass construction for durability and reliability
- Kerox ceramic cartridge ensures life-long trouble free service
- Single Lever handle operation allows both volume and temperature control
- Max-temperature limit stop for added safety.
- Dual inlet and outlet ports – 1/2" CxC soldering & 1/2" NPT thread
- Test plug is provided for pressure test
- Single or two separate cover plate trims available

Finish

- CP (Polished Chrome)
- PVD-BN (PVD Brushed Nickel)
- PVD-PN (PVD Polished Nickel)

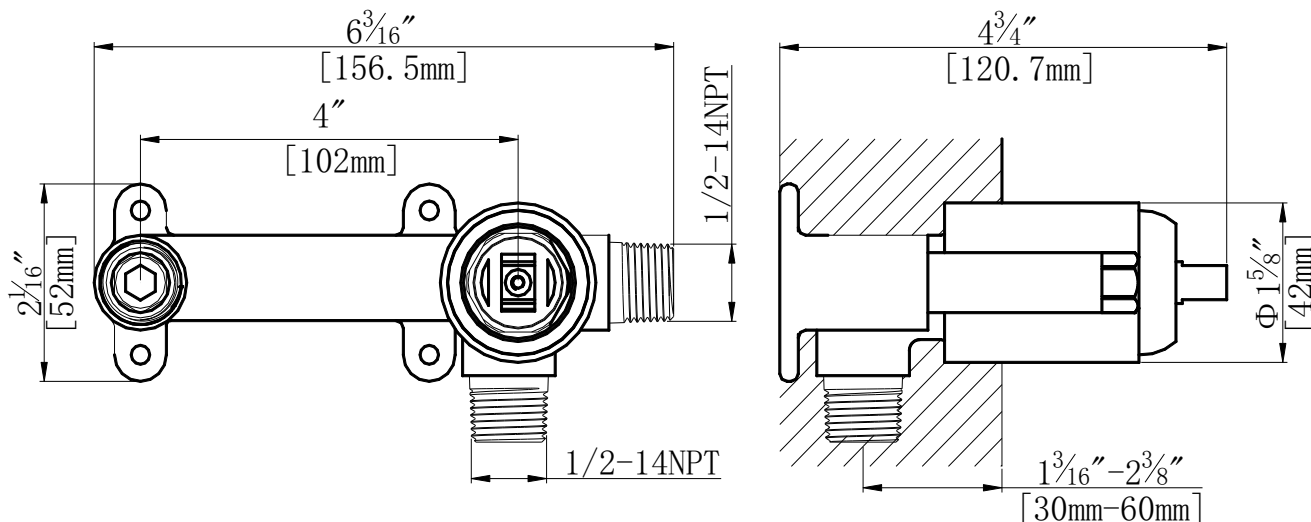
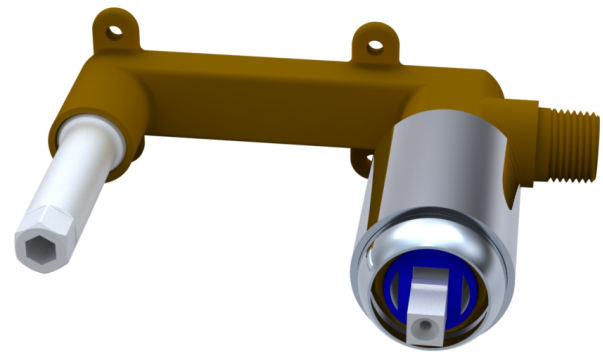
Codes and Standards

- ANSI/ASME A112.18.1
- CSA B125.1
- NSF61-9
- ADA
- IAPMO / cUPC Listed
- EPA Watersense Listed

Warranty

- Limited Lifetime Faucet Warranty against material and manufacturing defects for residential use.
- 2 Year Limited Warranty on all industrial, commercial and business applications.

fluid Mixing Valve for Single Lever Wall Mount Lavatory Faucet Model: F3000B



Model: F3000B