

# Somerton Smart 270 Parts Breakdown

## Tank: 810788W Bowl: 829107

**Flush Valve** (the part inside a toilet tank that brings water into the bowl and initiates the flush)

The Somerton Smart Flush Valve is a  
**Model B4910T**



At the bottom of the flush valve there is a seal that needs to be replaced occasionally as regular toilet maintenance.

The Somerton Smart Flush Valve Seal is a  
**30795 Seal**



**Fill Valve** (The part inside a toilet tank that fills the tank with water and prevents water from overflowing)

The Somerton Smart Fill Valve is a  
**Model B3300-MA**



The fill valve can usually be repaired easily with the Fill Valve Repair Kit  
**Model B3300-MA TOP**



Between the Somerton Toilet tank and the bowl there is a foam seal. (This seal may need to be replaced if the tank is removed from the bowl for any reason.)

The Somerton Tank to Bowl Seal is a  
**687214 Foam Seal**



Inside view of Somerton Tank (810788)



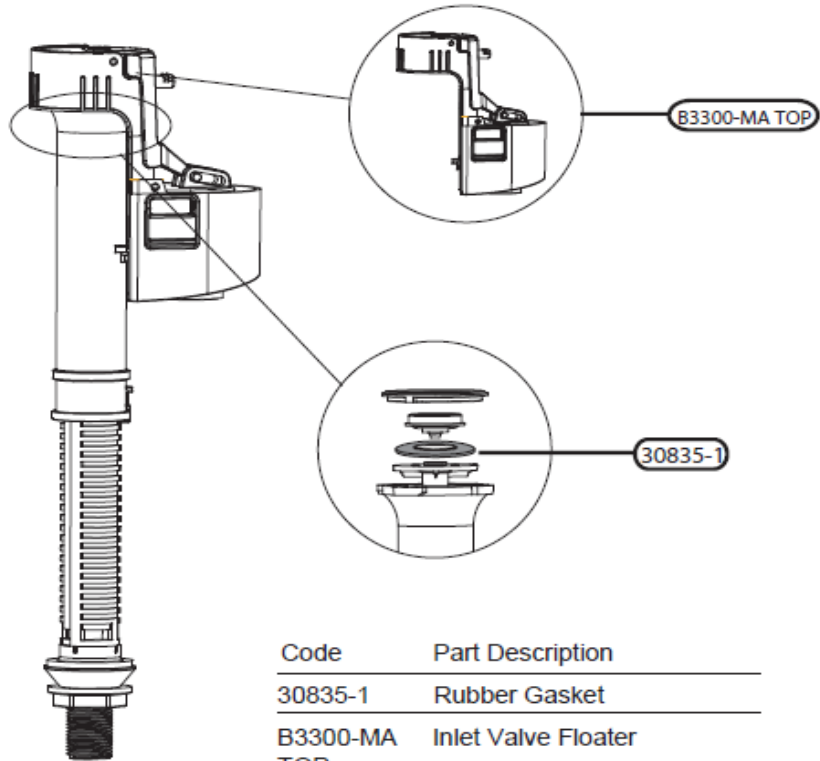
Flush Valve      Fill Valve

The Somerton Button Kit  
**B5502**



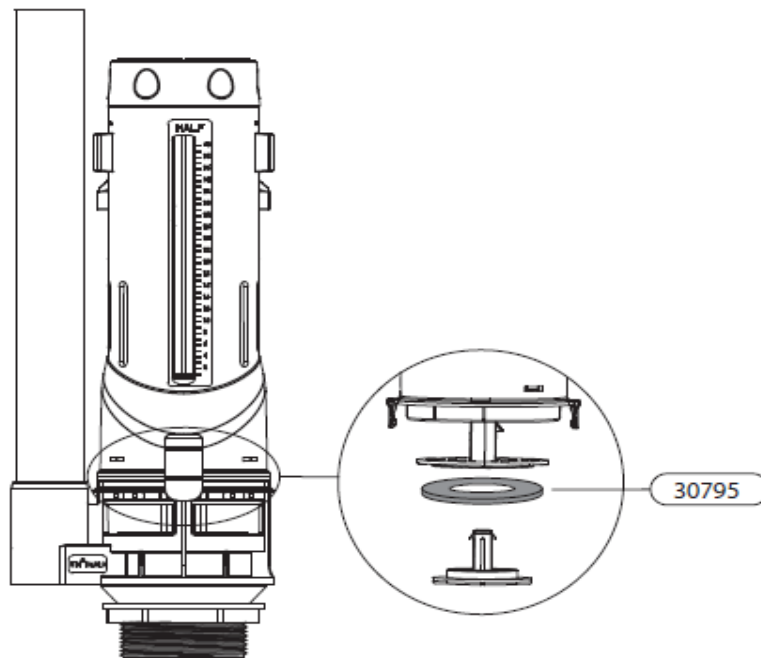
**M-147380 Back  
Outlet Connector**

### Inlet Valve Replacement Parts



Code	Part Description
30835-1	Rubber Gasket
B3300-MA TOP	Inlet Valve Floater
B3300-MA	Inlet Valve

### Outlet Valve Replacement Parts



Code	Part Description
30795	Outlet Valve Diaphragm Seal
B4910T-G	Outlet Valve 1.28/0.8 Gal (4.8/3 L)