



**Somerton Smart 270
Easy Height RFP
& Easy Height
Elongated Toilet.
Vitreous China 1.28/0.8
gpf (4.8/3 lpf) High
Efficiency Dual Flush
Toilets.**

**PLUMBERS INSTALLATION INSTRUCTIONS
PLEASE READ CAREFULLY BEFORE
INSTALLATION**

Rough in:

It is possible to fix the toilet into 10" (255mm) or 12" (305mm) rough in positions by rotating the offset adaptor.

IMPORTANT:

Reducing Wax rings must not be used when installing this toilet pan, as detailed in **Fig. 2**.

Working Water Pressure:

USA & Canada: Recommended working water pressure is 20-80psi (140-550Kpa).

Closet Bowl Fixing Procedure:

- 1- It is essential for the installation of all 270 Easy Height Two Piece Washdown toilets that the closet flange be accurately set out from the finished wall as detailed in **Fig. 3**.
- 2- Position 'T' bolts and wax seal onto closet flange, as detailed in **Fig. 4**.
- 3- Position offset adaptor onto 'T' bolts and wax seal. Place D86 bracket onto 'T' bolt and secure with nuts as detailed in **Fig. 5**, ensuring that the offset adaptor is positioned for 10" (255mm) rough in, as detailed in **Fig. 1-A** or for 12" (305mm) rough in, as detailed in **Fig. 1-B**.
- 4- Ensure that the area around the closet bowl is clean and free from building material.
- 5- It is recommended that a bead of acetic cured silicone caulking is applied fully around base of the closet bowl.
- 6- Accurately align the closet bowl over the offset adaptor and lower into position and secure closet bowl with suitable fasteners.
- 7- Remove any excess silicone caulking.
- 8- Insert the plastic bush, brass bush into the Pan fixing hole as shown in **Fig.6**. Secure the bushes through the holes in bracket as shown in **Fig. 7**. Cover it with Cap.

D86 Bracket Assembly

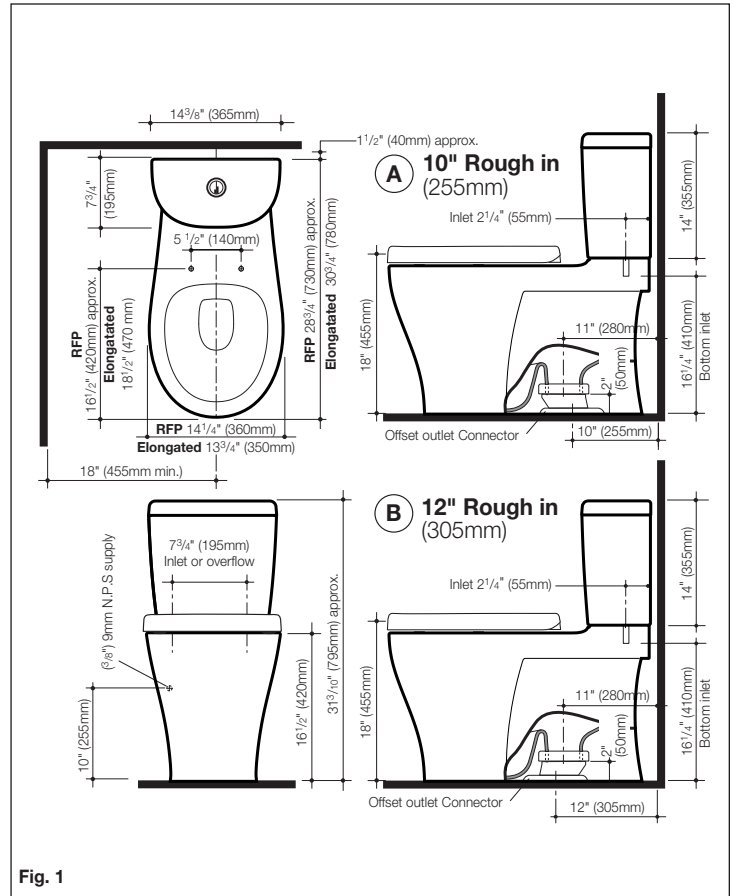
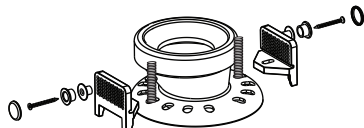


Fig. 1

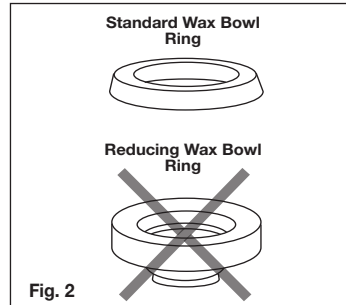


Fig. 2

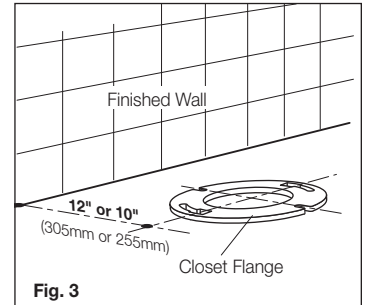


Fig. 3

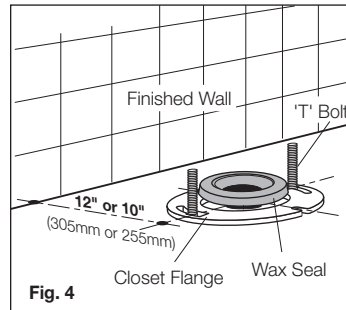


Fig. 4

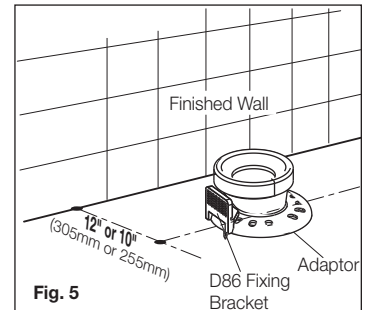


Fig. 5

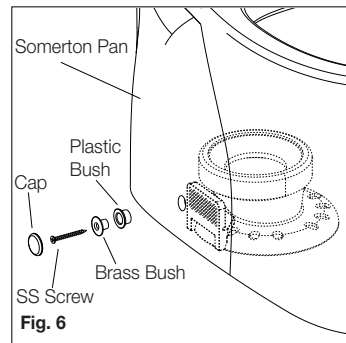


Fig. 6

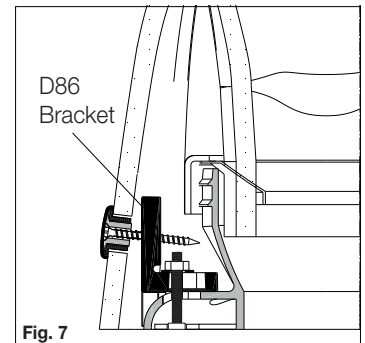


Fig. 7



Somerton Smart 270 1.28/0.8 gpf (4.8/3 lpf) Easy Height RFP and Easy Height Elongated Bowl Vitreous China Dual Flush Low Consumption, Two Piece Washdown Toilets.

Tank Fixing Procedure:

- 1- Ensure the foam seal is fitted onto the tail piece on the underside of the tank as detailed in **Fig. 8**.
- 2- Lower tank onto closet bowl, allowing the two tank fixing bolts protruding below the tank to locate in the corresponding holes in the closet bowl.
- 3- Fit the plastic wing nuts provided onto the tank fixing bolts which are protruding through the closet bowl and gradually tighten the left and right hand nuts by hand to evenly secure tank to closet bowl.
- 4- Connect water supply and check operation.

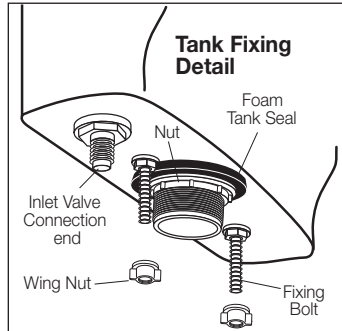


Fig. 8

(N) Non standard item. (Canada)

All measurements are subject to accepted manufacturing tolerances. To ensure complete accuracy please check actual product dimensions before drilling for installation.

The manufacturer reserves the right to change specifications at any time without giving prior notification.

This product should be installed by a qualified plumber. Local authority, Water Board, and Building Regulations may apply to the installation of this product, and you should consult the appropriate bodies on these requirements. Failure to comply may invalidate the product warranty.

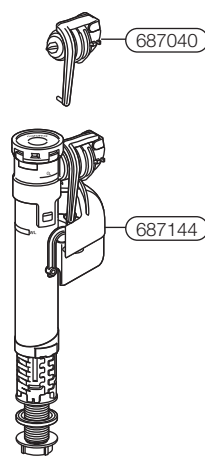
CLEANING INSTRUCTIONS FOR VITREOUS CHINA

To preserve the glazed surface, this toilet should be cleaned with a mild household detergent or warm soapy water.

IMPORTANT
<p>PLEASE DO NOT USE CHEMICAL CLEANERS IN THIS TANK AS THEY CAN CAUSE DAMAGE TO THE TANK COMPONENTS.</p> <p>PRODUCT WARRANTY MAY BE VOID IF CHEMICAL CLEANERS ARE USED.</p>

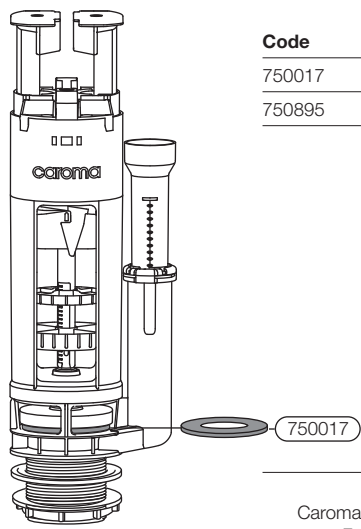
Cistern Spare Parts —

Quietflow 2 Inlet Valve Replacement Parts



Code	Part Description
687144	Quietflow USA 2 Inlet Valve
687040	Quietflow 2 repair kit

M5 outlet valve replacement parts



Code	Part Description
750017	M5 Outlet valve diaphragm seal
750895	M5 260 outlet (Somerton)

750017

Caroma USA, Inc.
Caroma Canada Industries Limited
For spare parts contact
Internet
www.caromausa.com
Phone: 1 800 605 4218