

Limited Lifetime Faucet Warranty

Fluid[®] warrants its faucets to be free from defects in material and workmanship for as long as the original purchaser owns his or her home.* This warranty applies only in the original installation location. If a defect is found in normal residential use, Fluid[®] will, at its election, repair, provide a replacement part or product, or make an appropriate adjustment. Fluid[®] reserves the right to examine the product in question and its installation prior to replacement. This warranty is limited to replacement of defective parts only. Damage to a product caused by accident, improper installation, misuse, or abuse is not covered by this warranty. Improper care and cleaning will void the warranty.** Replacement parts can be obtained from your local dealer or directly from the Fluid[®] warehouse. Dated proof of purchase must accompany all warranty claims. This warranty applies only to Fluid[®] faucets installed in the United States of America, Canada or Mexico (North America).

Fluid[®] recommends using a certified plumber for faucet installation and repair. Incidental and consequential damages, labor charges, repair or replacement costs are expressly excluded. In no event shall the liability of Fluid[®] exceed the purchase price of the faucet. Some states and provinces do not allow the exclusion or limitation of incidental or consequential damages, so the above limitation may not apply to you. This warranty gives you specific legal rights which vary from state/province to state/province. Product concerns and warranty claims should be reported to your nearest Fluid[®] dealer or sales representative.

Need Help?

For additional assistance or service call
Toll Free: 1 800 460 7019
Fax: 1 604 430 5050
www.fluidfaucets.com

* Two year warranty on commercial applications.

** Never use cleaners containing abrasive cleansers, ammonia, bleach, acids, waxes, alcohol, solvents or other products not recommended for surface finishes. This will void the warranty.

This faucet meets or exceeds the following standards:
ASME A112.18.1 / CSA B125.1 / NSF61-9
AB1953 California Lead Plumbing Law Certified
This product has been tested and certified by IAPMO.

fluid |

SSI[™]
SUSTAINABLE
SOLUTIONS
INTERNATIONAL

Installation Instructions for Kitchen Faucet



IAPMO LISTED



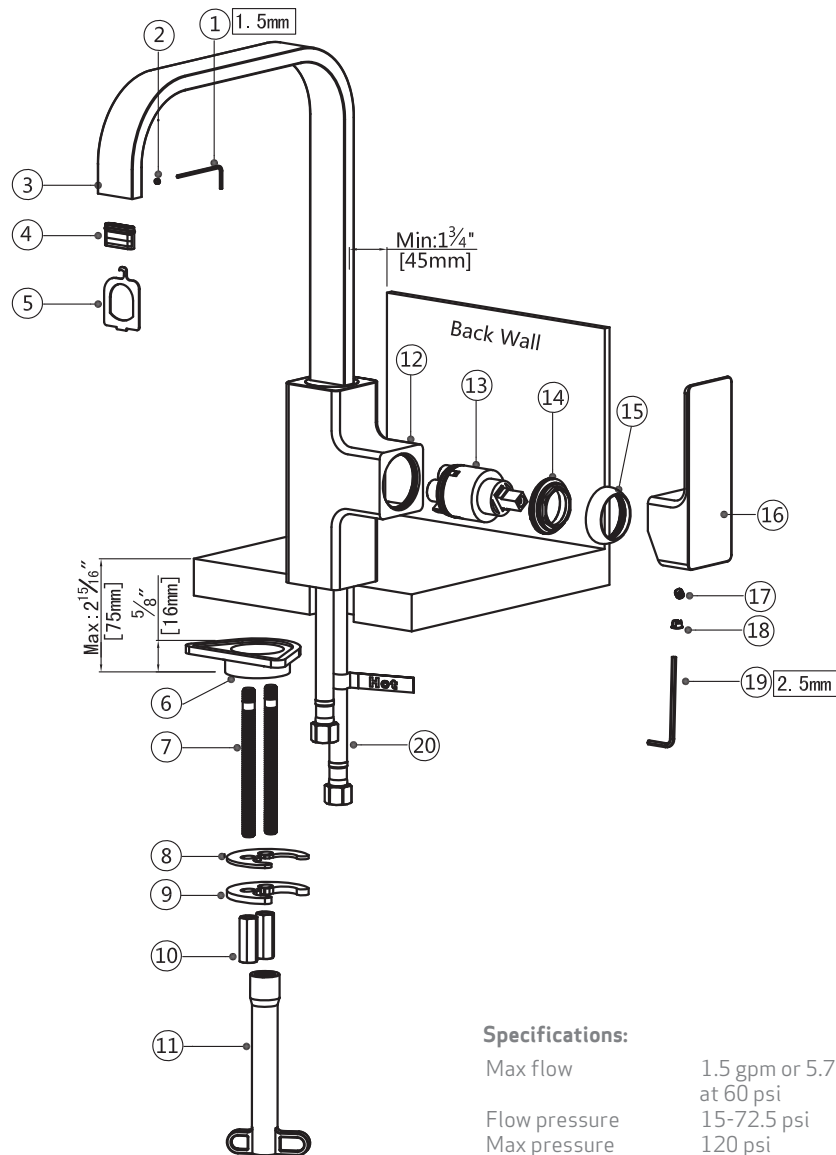
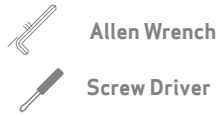
SSI[™]
SUSTAINABLE
SOLUTIONS
INTERNATIONAL

Sustainable Solutions International
Phone: 1 800 460 7019
www.SustainableSolutions.com

Kitchen Faucet/2014/V0

Please Keep This Manual For Future Reference

Tools Required for Installation



Specifications:

Max flow	1.5 gpm or 5.7L/min at 60 psi
Flow pressure	15-72.5 psi
Max pressure	120 psi
Max temperature	176 °F or 80 °C
Max deck thickness	2-15/16" (75mm)
Inlet connection	3/8" comp

Installation Instructions

1. Shut off cold and hot water supplies.
2. Ensure that faucet hole on the mounting deck is 1-1/2" (38mm) in diameter. The center of the hole should be at least 1-3/4" (45mm) away from the back wall.
3. Screw two mounting rods (#7) to the bottom of faucet body (#12), and tighten using a Phillips/cross screw driver.
4. From above the deck, pass the stainless steel flex hoses (#20) and the mounting rods (#7) through the faucet hole.
5. Place the faucet in position on the mounting deck.
6. From beneath the deck, slide spacer (#6), mounting rubber gasket (#8) and metal plate (#9) over mounting rods (#7).
Note: If spacer (#6) is omitted, deck thickness can be increased by 5/8" (16mm) to a total of 2-15/16" (75mm).
7. Screw and tighten the mounting nuts (#10) onto the mounting rods (#7) by using the supplied wrench tool (#11).
8. Connect water supplies to the flex hose 3/8" COMP FEM ends. Use Teflon tape at the thread connections. Hot inlet connection is tagged with a red HOT sticker.
9. Turn on cold and hot water supply lines and inspect all connections for leaks.

Care & Maintenance Instructions

Fluid™ products are designed and engineered under strict quality standards. Regular and proper care of our products will ensure years of trouble-free service.

For Cartridge:

To clean or replace the cartridge (#13), remove handle (#16) by pulling out plug (#18) with a small hook and untightening set screw (#17) with the supplied 2.5mm Allen wrench (#19). Then unscrew cap (#15) by hand and remove nut (#14) with an adjustable wrench. Pull out the cartridge (#13) and clean or replace as required.

For Aerator:

Regularly remove the flow aerator (#4) and rinse with clean running water to ensure that any trapped debris has been removed. To remove flow aerator (#4), first use the supplied 1.5mm Allen wrench (#1) to remove set screw (#2), then use the supplied metal hook (#5) to pull aerator (#4) out.

For Surface Finish:

To clean, wash with a soft cloth and warm soapy water, then rinse with clean water and dry with a soft cloth. Do not use abrasive or harsh cleaners as they may damage the finish.