

Specifications

- Undermount single bowl kitchen sink
- High quality fluid sink is hand made of #18 gauge type 304 stainless steel.
- Overall dimension: 16" (406mm) x 14" (455mm) x 7" (178mm)
- Minimum cabinet size: 20" (508mm)
- Has 3-1/2" (90mm) diameter recessed drain opening.
- Full undercoating and large rubber pads for noise reduction and condensation elimination.
- The exposed surfaces are polished to a satin finish.
- Cut-out template and mounting hardware are included.
- Stainless steel basket strainer is available and sold separately.
- The sink is stack packed in bulk.

fluid Tight Radius Undermount Single Bowl Kitchen Sink Model: FSN-USR1614

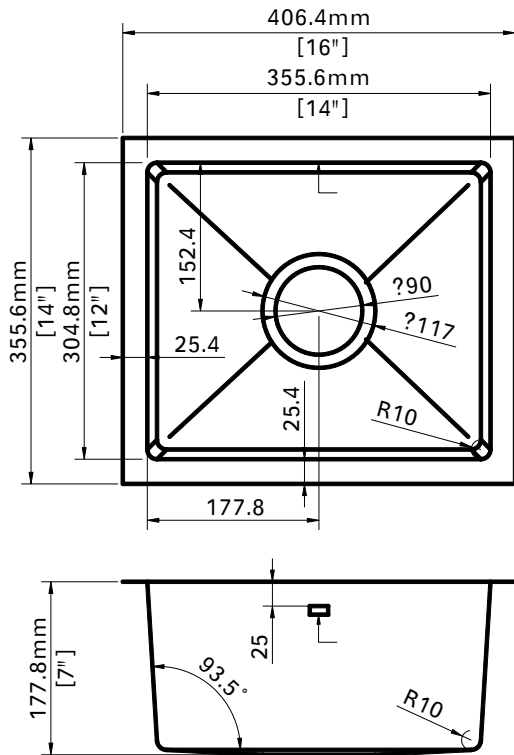


Codes and Standards

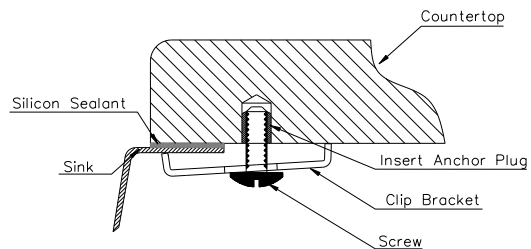
- ANSI/ASME A112.19.3
- CSA B45 Series-02
- IAPMO / cUPC Listed

Warranty

- Limited Lifetime Sink Warranty against material and manufacturing defects for residential use.
- 1 Year Limited Warranty on all industrial, commercial and business applications.



Installation Detail



Optional Accessories such as colander, bottom grid and cutting board may be available. Please contact our sales representative for details.

IMPORTANT NOTE:

Cut-out template is included in the carton box. Fabricator must check it for accuracy. We are not responsible for wrong cutting.