

# Limited Lifetime Faucet Warranty

fluid warrants its faucets to be free from defects in material and workmanship for as long as the original consumer purchaser owns his or her home.\* This warranty applies only in original installation location. If a defect is found in normal residential use, fluid will, at its election, repair, provide a replacement part or product, or make an appropriate adjustment. fluid reserves the right to examine the product in question and its installation prior to replacement. This warranty is limited to replacement of defective parts only. Damage to a product caused by accident, improper installation, misuse, or abuse is not covered by this warranty. Improper care and cleaning will void the warranty.\*\* Replacement parts can be obtained from your local dealer or directly from the fluid warehouse. Dated proof of purchase must accompany all warranty claims. This warranty applies only to fluid faucets installed in the United States of America, Canada or Mexico (North America).

fluid recommends using a certified plumber for faucet installation and repair. Incidental and consequential damages, labor charges, repair or replacement costs are expressly excluded. In no event shall the liability of fluid exceed the purchase price of the faucet. Some states and provinces do not allow the exclusion or limitation of incidental or consequential damages, so the above limitation may not apply to you. This warranty gives you specific legal rights which vary from state/province to state/province. If you find any such problem with your product, please immediately contact your nearest fluid dealer or sales representative.

## Need Help?

For additional assistance or service call  
Toll Free: 1 800 460 7019  
Fax: 1 604 430 5050  
[www.fluidfaucets.com](http://www.fluidfaucets.com)

\* Two year warranty on commercial applications.

\*\* Never use cleaners containing abrasive cleansers, ammonia, bleach, acids, waxes, alcohol, solvents or other products not recommended for surface finishes. This will void the warranty.

This faucet meets or exceeds the following standards:  
ASME A112.18.1 / CSA B125.1 / NSF61-9 / EPA WaterSense  
AB1953 California Lead Plumbing Law Certified  
This product has been tested and certified by IAPMO.

# fluid |

**SSI**<sup>™</sup>  
SUSTAINABLE  
SOLUTIONS  
INTERNATIONAL

## Installation Instructions for Single Lever Wall Mount Lavatory Faucet (For Vertical Installation)

Single Lever Wall Mount Lavatory Faucet/2012/V0



IAPMO LISTED



**SSI**<sup>™</sup>  
SUSTAINABLE  
SOLUTIONS  
INTERNATIONAL

Sustainable Solutions International  
Phone: 1 800 460 7019  
[www.SustainableSolutions.com](http://www.SustainableSolutions.com)

Please Keep This Manual For Future Reference

# Tools Required for Installation



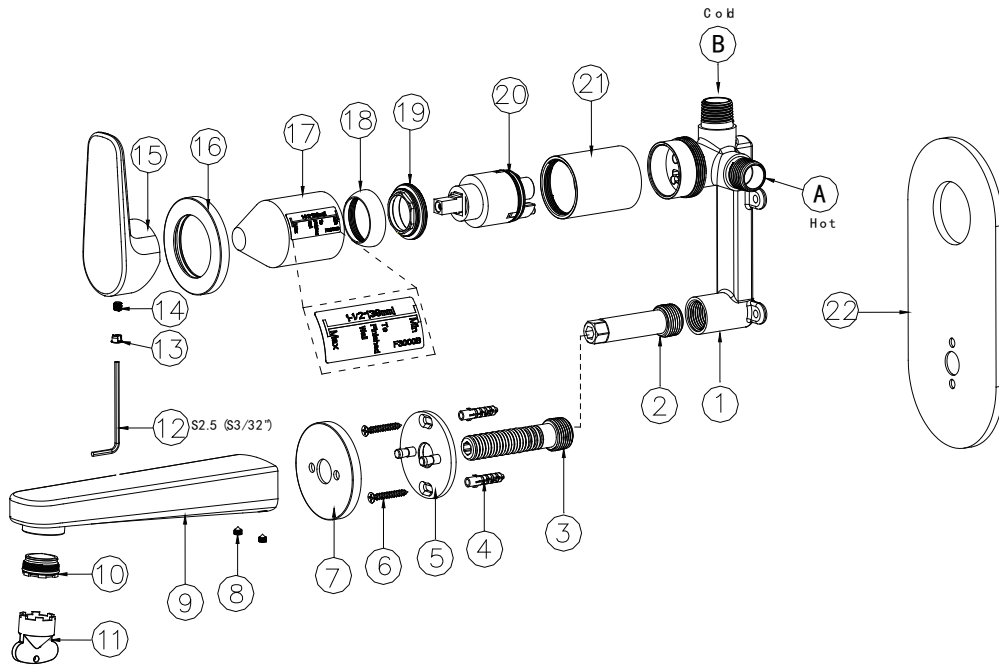
Allen Wrench



Teflon Tape



Adjustable Wrench



## Specifications:

Max flow	1.5 gpm or 5.7L/min at 60 psi
Flow pressure	15-72.5 psi
Max pressure	120 psi
Max temperature	176 °F or 80 °C
Max installation depth	2-5/8" (67mm) from center of inlet to finished wall
Inlet connection	1/2" NPT and 1/2"CxC

# Installation Instructions

## Valve Installation

1. Shut off cold and hot water supply.
2. Install wall mount valve body (#1) so the handle is located at the top and the surface of finished wall is between the MIN and the MAX mark on the mud guard (#17).
3. Connect the valve body (#1) to water supplies using proper fittings (copper tubing, iron pipe or PEX). (B) is the cold inlet port and (A) is the hot inlet port.

3.1. For 1/2" Copper Tube Soldering Connections Solder water supply tube to valve body (#1). NOTE: Prior to soldering, remove cartridge (#20) by unscrewing the cap (#18) and retaining nut (#19). Avoid soldering excessively high temperature.

3.2. For 1/2" IPS Thread Connections Apply Teflon tape onto thread and connect water supply tube to valve body (#1)

4. The valve body (#1) could be water tested with a tightened test plug (#2).

## Trim Installation

1. Remove test plug (#2) from the valve body (#1) by unscrewing with a 5/16" (8mm) Allen wrench (not provided) or an adjustable wrench.
2. Apply Teflon tape onto the threaded end of "Smart Connector" (#3) and tighten it with a 5/16" (8mm) Allen wrench (not provided).

3. Slide back plate (#5) over "Smart Connector" (#3) and mark hole positions on the finished wall.
4. Drill holes per marks and insert plastic anchors (#4) into the finished wall.
5. Ensure back plate (#5) is perfectly leveled. Secure back plate (#5) against the wall by fastening screws (#6) into plastic anchors (#4).
6. Slide escutcheon (#7) and spout (#9) over two pins to stop. OR use escutcheon (#22) for single cover plate installation. NOTE: For "Smart Connector" (#3) installation details, refer to the enclosed General Instruction of "Smart Connector".
7. Secure spout (#9) with 2 set screws (#8) by using a 3/32" (2.5mm) Allen wrench (#12).
8. Remove mud guard (#17) and slide escutcheon (#16) over sleeve tube (#21).
9. Secure handle (#15) onto cartridge stem (#20) with set screw (#14) and tighten it with a 3/32" (2.5mm) Allen wrench (#12). Push decorative cover (#13) into hole.



Note: Vandal proof aerator features water saving technology (1.5gpm), swivel flow direction adjustment by simply pushing the inside of the aerator to direct stream.

# Care & Maintenance Instructions

SSI products are designed and engineered under strict quality standards. Regular and proper care of our products will ensure years of trouble-free service.

## For Cartridge:

1. Shut off cold and hot water supply.
2. Pull out decorative cap (#13) and with an Allen wrench (#12) loosen the set screw, (#14) but do not remove it.
3. Take off handle, unscrew cap (#18) by hand and remove retaining nut (#19) by using an adjustable wrench.
4. Remove cartridge (#20). Clean it with clean running water.

5. Replace cartridge (#20), retaining nut (#19) and cap (#18) followed by handle (#15).

## For Aerator:

Regularly remove aerator (#10) with the enclosed service key (#11) and wash with clean running water and ensure that any trapped debris has been removed.

## For Surface Finish:

To clean, use a soft and damp cloth with warm soapy water followed by rinsing with clean water and drying with a soft cloth. Do not use abrasive or harsh cleaners as they may result in finish damage.