

Limited Lifetime Faucet Warranty

fluid™ warrants its faucets to be free from defects in material and workmanship for as long as the original consumer purchaser owns his or her home. * This warranty applies only in original installation location. If a defect is found in normal residential use, fluid™ will, at its election, repair, provide a replacement part or product, or make an appropriate adjustment. fluid™ reserves the right to examine the product in question and its installation prior to replacement. This warranty is limited to replacement of defective parts only. Damage to a product caused by misuse, abuse, neglect, accident, improper installation, improper care of finishes, hard water or mineral deposits, potassium or salt based water softener systems or exposure to corrosive materials are not covered by this warranty. Improper care and cleaning will void the warranty.** Replacement parts can be obtained from your local dealer or directly from the fluid™ warehouse. Shipping charges may apply. Dated proof of purchase must accompany all warranty claims. This warranty applies only to fluid™ faucets installed in the United States of America, Canada or Mexico (North America). fluid™ recommends using a certified plumber for faucet installation and repair. Incidental and consequential damages, labor charges, repair or replacement costs are expressly excluded. In no event shall the liability of fluid™ exceed the purchase price of the faucet. Some states and provinces do not allow the exclusion or limitation of incidental or consequential damages, so the above limitation may not apply to you. This warranty gives you specific legal rights which vary from state/province to state/province. If you find any such problem with your product, please immediately contact your nearest fluid™ dealer or sales representative.

fluid™

SSI
SUSTAINABLE
SOLUTIONS
INTERNATIONAL

Need Help?

For additional assistance
Toll Free: 1 800 460 7019
Fax: 1 604 430 5050
www.fluidfaucets.com

Installation Instructions for Single Lever Lavatory Faucet

* Two year warranty on commercial applications.

** Never use cleaners containing abrasive cleansers, ammonia, bleach, acids, waxes, alcohol, solvents or other products not recommended for surface finishes. This will void the warranty.

This faucet meets or exceeds the following standards:
ASME A112.18.1 / CSA B125.1 / NSF61-9 / EPA Watersense
AB1953 California Lead Plumbing Law Certified
This product has been tested and certified by IAPMO.



IAPMO LISTED







SSI
SUSTAINABLE
SOLUTIONS
INTERNATIONAL

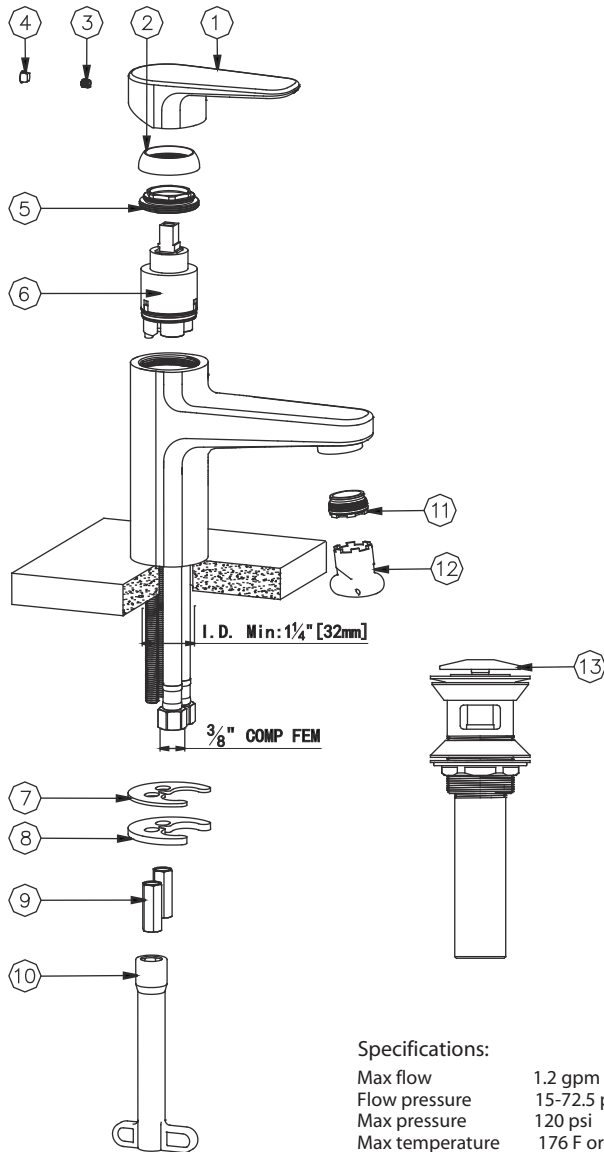
Sustainable Solutions International
Phone: 1 800 460 7019
www.SustainableSolutions.com

Single Lever Lavatory Faucet / 2018 / V3

Please Keep This Manual For Future Reference

Tools Required for Installation

-  Allen Wrench (supplied)
-  Teflon Tape
-  Socket Wrench (supplied)
-  Adjustable Wrench



Specifications:

Max flow	1.2 gpm or 4.5 L/min
Flow pressure	15-72.5 psi at 60 psi
Max pressure	120 psi
Max temperature	176 F or 80 C
Max deck thickness	2-1/8"(54mm)
Inlet connection	3/8"comp

Installation Instructions

1. Shut off cold and hot water supplies.
2. On mounting surface the faucet hole should be 1-1/4" (32 mm) in diameter.
3. Place faucet body on the mounting surface by feeding braided flex hoses through faucet hole.
4. From below, fit rubber washer (#7) and mounting plate (#8) by sliding them over mounting bolt(s).
5. Screw mounting nut(s) (#9) onto mounting bolt(s), and tighten using the enclosed socket wrench (#10).
6. Connect braided flex hoses to angle stops. Extra braided flex hoses may be needed and can be purchased at the local plumbing store if the supplied flex hoses are not long enough. Use Teflon tape at the threaded connections.
7. Please follow the enclosed instruction for push type drain (#13) installation, if the drain comes with this package.

Note: Vandal proof aerator features water saving technology (1.2gpm). Swivel flow direction adjustment by simply pushing the inside of the aerator to direct stream.



Care & Maintenance Instructions

fluid™ products are designed and engineered under strict quality standards. Regular and proper care of our products will ensure years of trouble-free service.

For Cartridge:

1. Shut off cold and hot water supplies.
2. Use the supplied Allen wrench to push silicon plug (#4) into handle hub and loosen set screw (#3) but do not remove it.
3. Pull off handle (#1), unscrew cap (#2) and remove retaining nut (#5) using an adjustable wrench.
4. Pull off cartridge (#6) by hand.
5. Wash cartridge (#6) with clean running water and ensure that any trapped debris has been removed. Dry and lightly grease all rubber seals (use only NSF approved Silicone grease).
6. Replace cartridge (#6), retaining nut (#5) and cap (#2) followed by handle (#1).

For Aerator:

Regularly remove with the supplied service key (#12) and wash aerator (#11) with clean running and ensure any trapped debris has been removed.

For Surface Finish:

Clean with a damp cloth and warm soapy water. Then simply rinse off and wipe dry with a soft cloth. Do not use abrasive or harsh cleaners as they may result in finish damage.