

### Specifications

- Heavy brass construction for durability and reliability
- Kerox ceramic cartridge ensures life long trouble free service
- Single Lever handle operation allows both volume and temperature control
- Max-temperature limit stop for added safety.
- SSI Eco-Care pivot aerator 1.5 gpm (5.7 lpm) at 60 psi
- SSI “Smart Connector” for an easy spout installation
- Single cover plate trim available
- Available waste pop-up drain
- Must be used together with the valve body F3000B for horizontal installation or with F3001B for vertical installation
- Used as wall mounted tub filler when flow straightener is used in lieu of aerator (F21008T-S with flow straightener)

### Finish

- CP (Polished Chrome)
- PVD-BN (PVD Brushed Nickel)

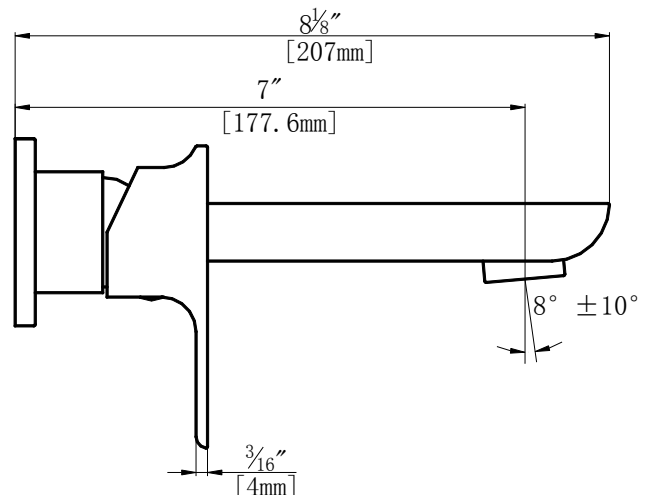
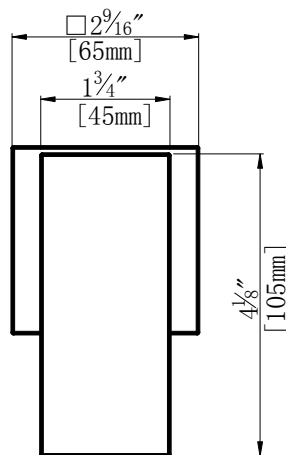
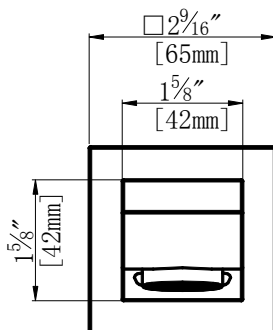
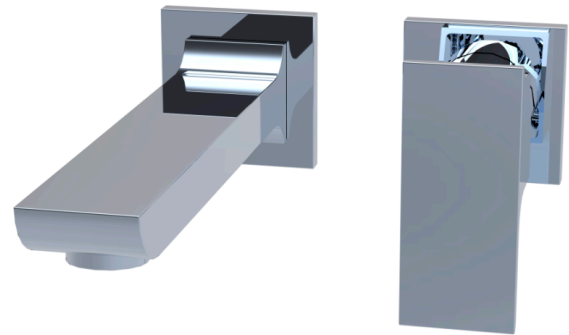
### Codes and Standards

- ANSI/ASME A112.18.1
- CSA B125.1
- NSF61-9
- ADA
- IAPMO / cUPC Listed (pending)
- EPA Watersense Listed (pending)
- AB1953 California Lead Plumbing Law Certified (pending)

### Warranty

- Limited Lifetime Faucet Warranty against material and manufacturing defects for residential use.
- 2 Year Limited Warranty on all industrial, commercial and business applications.

## fluid Jovian Series Single Lever Wall Mounted Lavatory Faucet Model: F21008T



**Model: F21008T**