

Limited Lifetime Faucet Warranty

Fluid[®] warrants its faucets to be free from defects in material and workmanship for as long as the original consumer purchaser owns his or her home.* This warranty applies only in original installation location. If a defect is found in normal residential use, Fluid[®] will, at its election, repair, provide a replacement part or product, or make an appropriate adjustment. Fluid[®] reserves the right to examine the product in question and its installation prior to replacement. This warranty is limited to replacement of defective parts only. Damage to a product caused by accident, improper installation, misuse, or abuse is not covered by this warranty. Improper care and cleaning will void the warranty.** Replacement parts can be obtained from your local dealer or directly from the Fluid[®] warehouse. Dated proof of purchase must accompany all warranty claims. This warranty applies only to Fluid[®] faucets installed in the United States of America, Canada or Mexico (North America).

Fluid[®] recommends using a certified plumber for faucet installation and repair. Incidental and consequential damages, labor charges, repair or replacement costs are expressly excluded. In no event shall the liability of Fluid[®] exceed the purchase price of the faucet. Some states and provinces do not allow the exclusion or limitation of incidental or consequential damages, so the above limitation may not apply to you. This warranty gives you specific legal rights which vary from state/province to state/province. If you find any such problem with your product, please immediately contact your nearest Fluid[®] dealer or sales representative.

Need Help?

For additional assistance or service call
Toll Free: 1 800 460 7019
Fax: 1 604 430 5050
www.fluidfaucets.com

* One year warranty on commercial applications.

** Never use cleaners containing abrasive cleansers, ammonia, bleach, acids, waxes, alcohol, solvents or other products not recommended for surface finishes. This will void the warranty.

This faucet meets or exceeds the following standards:

ASME A112.18.1 / CSA B125.1

This product has been tested and certified by IAPMO.



IAPMO LISTED



Sustainable Solutions International
Phone: 1 800 460 7019
www.SustainableSolutions.com

fluid |



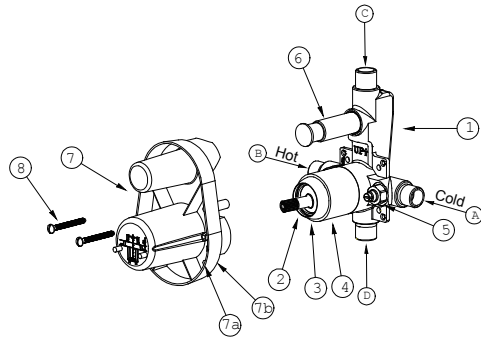
Installation Instructions for Pressure Balancing Valve for Tub and Shower

Pressure Balancing Valve for Tub and Shower Set/2008/V0 | Ion Branding + Design

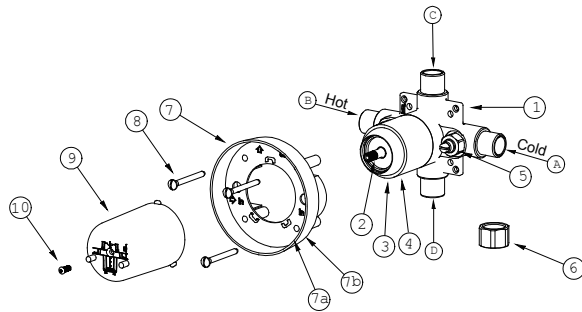
Please Keep This Manual For Future Reference

Tools Required for Installation

-  Teflon Tape
-  Screwdriver
-  Adjustable Wrench
-  Soldering Equipment
-  Plumber's Putty



F1000-B



F1001-B

F1000-B

Pressure Balancing Valve with Diverter, used for Tub and Shower installation.

F1001-B

Pressure Balancing Valve without Diverter, used for Tub Only or Shower Only installation with a supplied hex cap (#6).

Installation Instructions

1. Shut off cold and hot water supply.
2. Install the pressure balancing valve body (#1) so the surface of the finished wall is between the front (#7a) and the back (#7b) of the plaster guard (#7).

NOTE: Make sure the word "UP" points upwards.

3. Connect the valve body (#1) to water supplies using the proper fittings (copper tubing, iron pipe or PEX). (A) is the cold inlet port and (B) is the hot inlet port.

NOTE: Prior to soldering, remove the integral stops (#5) and the cartridge (#2) by unscrewing the cap and the retaining nut (#3). Avoid soldering at excessively high temperature.

For back to back installation, remove the cartridge (#2) from the valve body (#1), rotate 180 degrees and reinstall. (A) is the hot inlet port and (B) is the cold inlet port. (This is not for a normal installation.)

4. Connect the top outlet (C) to shower pipe with proper fittings. Connect the bottom outlet (D) to tub spout pipe with proper fittings.

Note: Pipe between the valve body (#1) and the tub spout must be 1/2" (13mm) in diameter in a straight drop no more than 18" (457mm) with only one 90 degree elbow. Do not use PEX tubing for the tub spout connection.

FOR PRESSURE BALANCING VALVE WITH DIVERTER F1000-B:

5a. Remove the plaster guard (#7) by loosening two screws (#8).

NOTE: To switch the water between the tub spout and the shower head, just simply pull the knob of the diverter (#6).

FOR PRESSURE BALANCING VALVE WITHOUT DIVERTER F1001-B:

5b. Remove the plaster guard (#7) by loosening three screws (#8) and the plaster cone (#9) by loosening one screw (#10).

Adjusting Maximum Temperature

Caution: The valve is preset at the factory test at maximum. To adjust, please follow these instructions.

Remove the pressure balancing cartridge (#2) from the valve body (#1) by unscrewing the cap and the

retaining nut (#3). Hold the cartridge (#2) and raise the red max temperature adjust ring. Turn the red ring clockwise to adjust the max temperature to the desired setting. Reassemble and test until the desired setting is achieved.

Care & Maintenance Instructions

SSI products are designed and engineered under strict quality standards. Regular and proper care of our products will ensure years of trouble-free service.

For Pressure Balancing Cartridge:

Remove front cover and shut off integral stops (#5). Remove the cartridge (#2) by unscrewing the cap and the retaining nut (#3), and then wash with running water to ensure any trapped debris has been removed.

For Surface Finish:

To clean, use a soft and damp cloth with warm soapy water followed by rinsing with clean water and drying with a soft cloth. Do not use abrasive or harsh cleaners as they may result in finish damage.

The maximum operating temperature of this product 82°C (180°F)