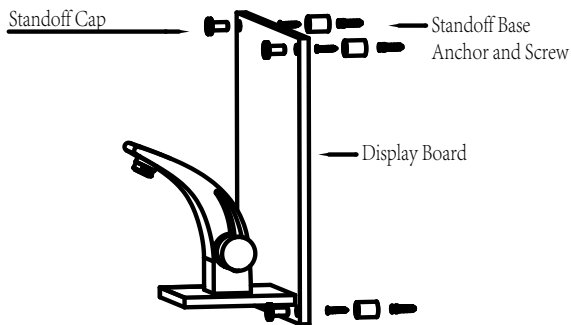
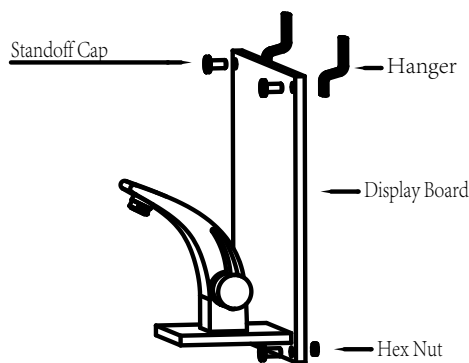


Display Board Installation Instructions:



Wall Installation



Slat Wall Installation

For Wall Installation:

1. Remove standoffs by unscrewing cap from base.
2. Mark locations of drilling holes on the mounting wall.
3. Drill 3/16" holes at the marked locations and insert plastic anchors into the holes.
4. Secure standoff bases onto the wall by tightening screws into plastic anchors.
5. Insert standoff caps into pre-drilled holes at the corners of the display board, and screw into standoff bases.

For Slat Wall Installation:

1. Replace two top standoff bases with provided hangers.
2. Replace two bottom standoff bases with provided hex nuts.

Need Help?

For additional assistance or service call

Toll Free: 1 800 460 7019

Fax: 1 604 430 5050

