

fluid | **ssi**
SUSTAINABLE SOLUTIONS INTERNATIONAL

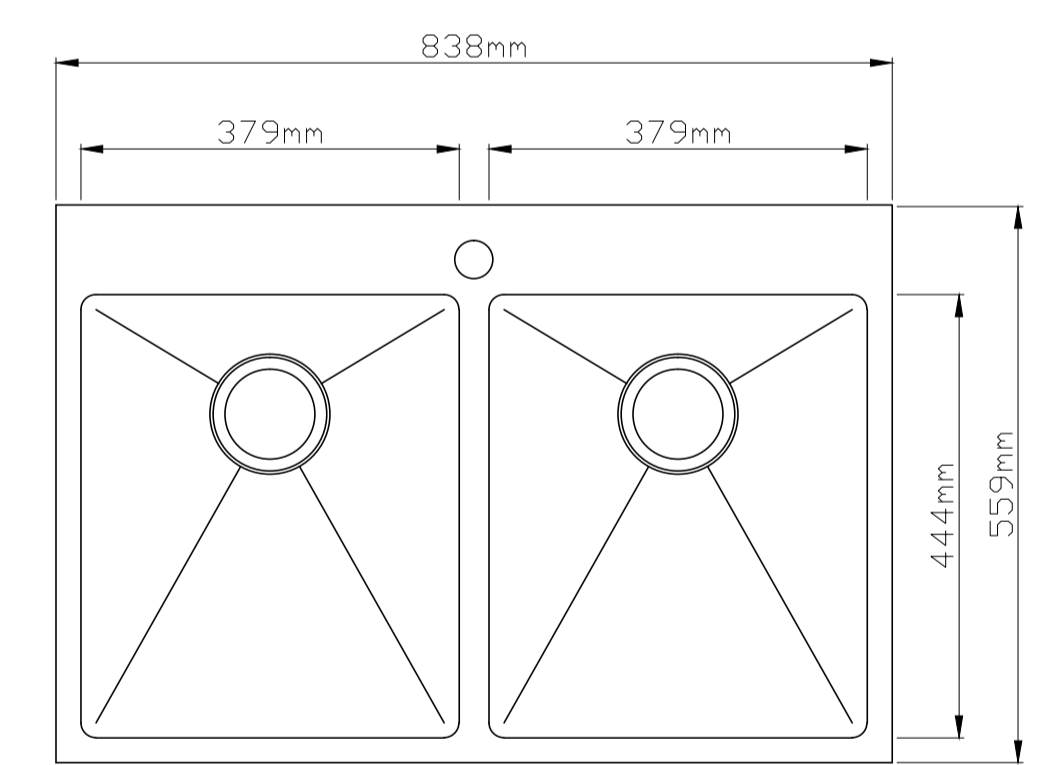
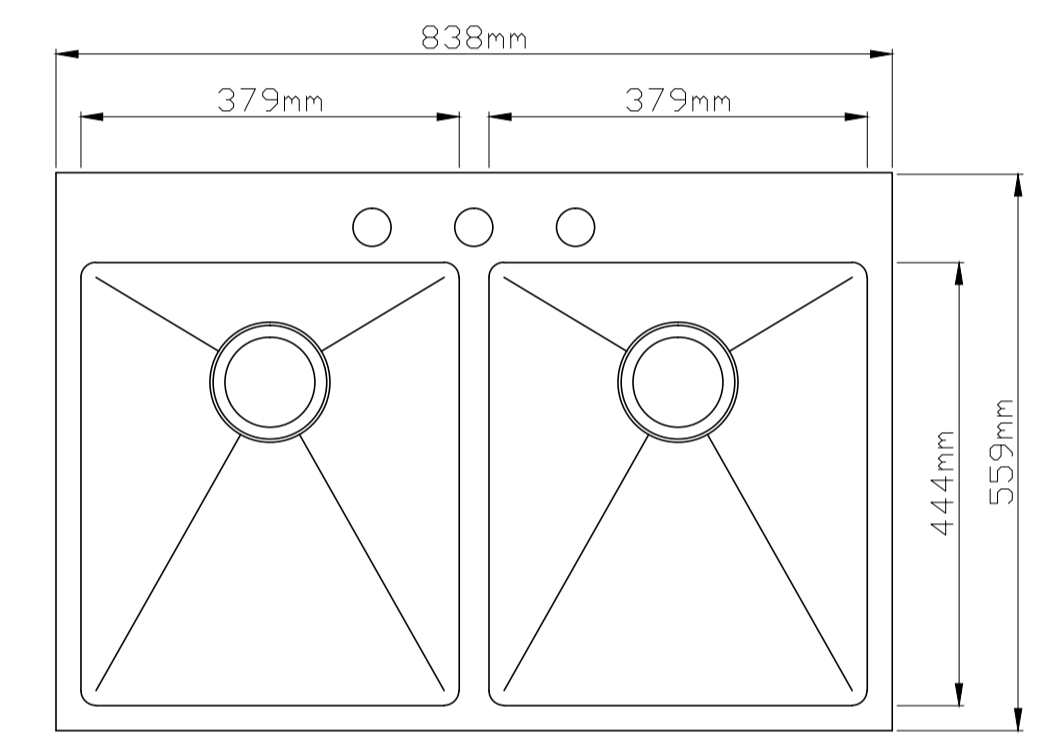
Topmount Sink

Overall Size

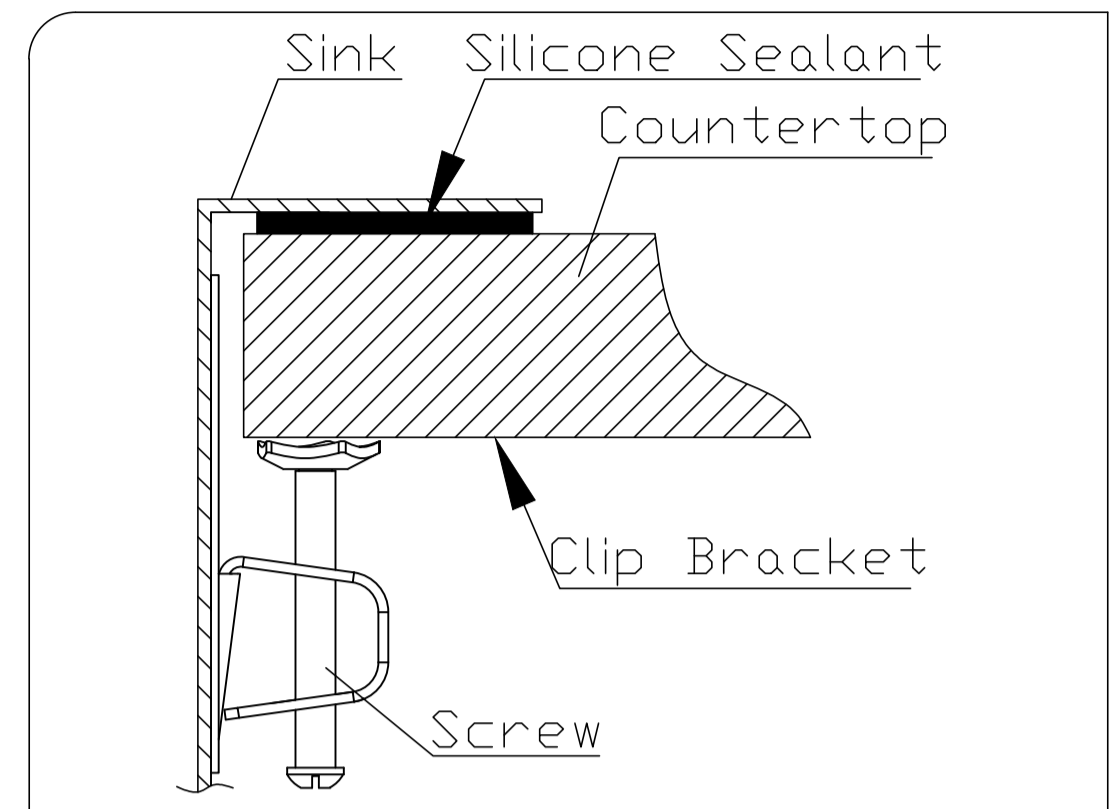
33"X22" / 838X559mm

Bowl Size

31"X17 $\frac{1}{2}$ " / 788X444mm



TDR3322H-1 TDR3322H-3



Topmount Installation Instructions

This instruction is for installing a topmount stainless steel sink.

CAUTION: Sink edge may be sharp - handle with caution.

Do not install damaged sink - inspect carefully.

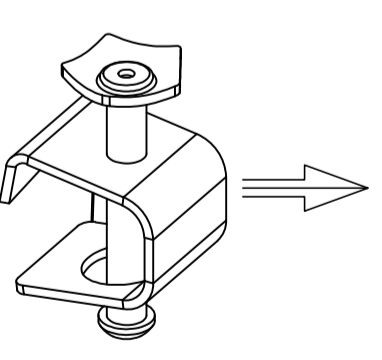
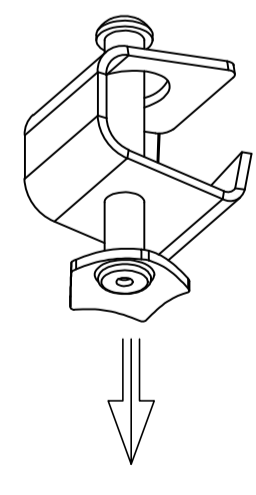
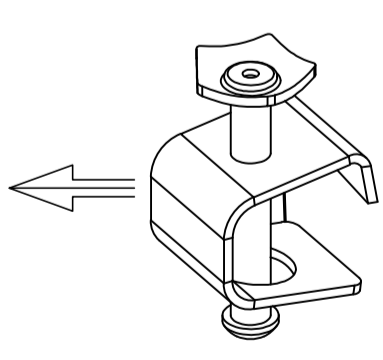
1. Cut out the template and place it on the countertop, making sure that sink front is parallel to the front of the counter.
2. Tape the template in place, and trace around the dashed line in the template.
3. Cut the countertop along the traced line with the proper tool for the countertop material.
4. Insert the sink into the countertop to test if the cutout is the correct size.
5. Remove the sink and make any necessary adjustments in the cutout or placement.
6. Apply a bead of sealant completely around all edges of sink opening.
7. Place the sink in the sink opening.
8. Determine placement of clip brackets as indicated by template.
9. Install clip brackets by tightening screws to secure the sink.
10. Remove excess sealant if any.

NOTE: This template is only a guide. Actual sink should be present to ensure perfect cut out.

HINT: After silicone sealant cures, wipe all edges with denatured alcohol. This will smoothen out any rough areas.

Element Clip locations are approximate.

Please recycle this template when finished installing.



559mm

529mm

808mm

838mm